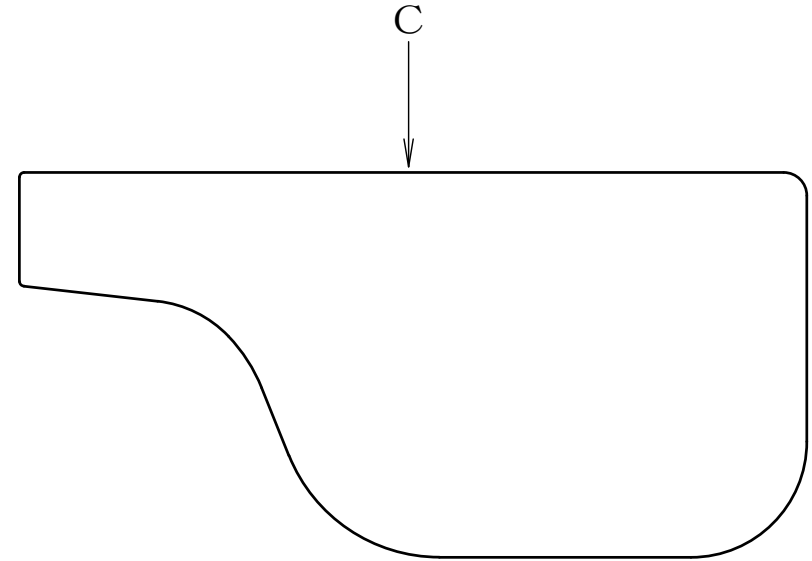
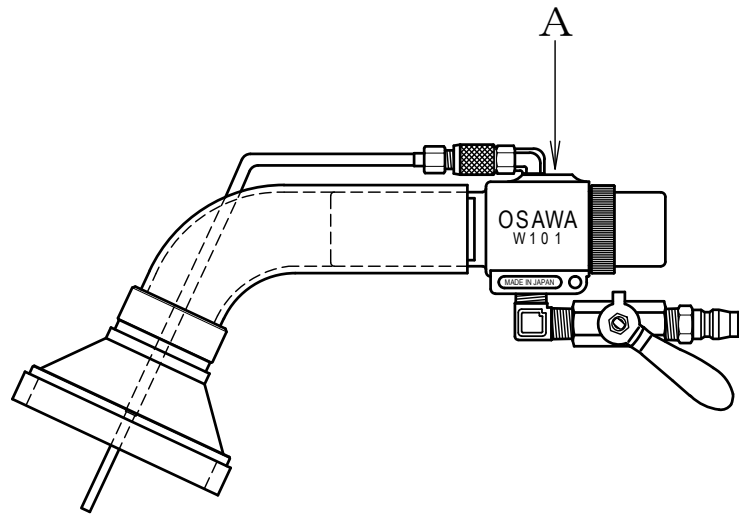
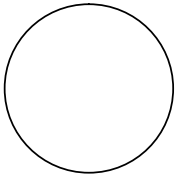


Wonder-Gun W101-YZ-LC-A Specifications



Name of article		Material • Summaries	
C	W1-2 Dust bag	Slub cloth, etc (370×200mm)	
B	W1-7 Hose clamp	Iron (Chromate conversion coating)	
A	W101-YZ-LC Wonder-Gun	Aluminum alloy, etc	
Customer:		Issue Date	
Description:	Drawn by:		
	Directed by:		
	Approval:		
	Drawing date: 2015/11/10	Scale: --	