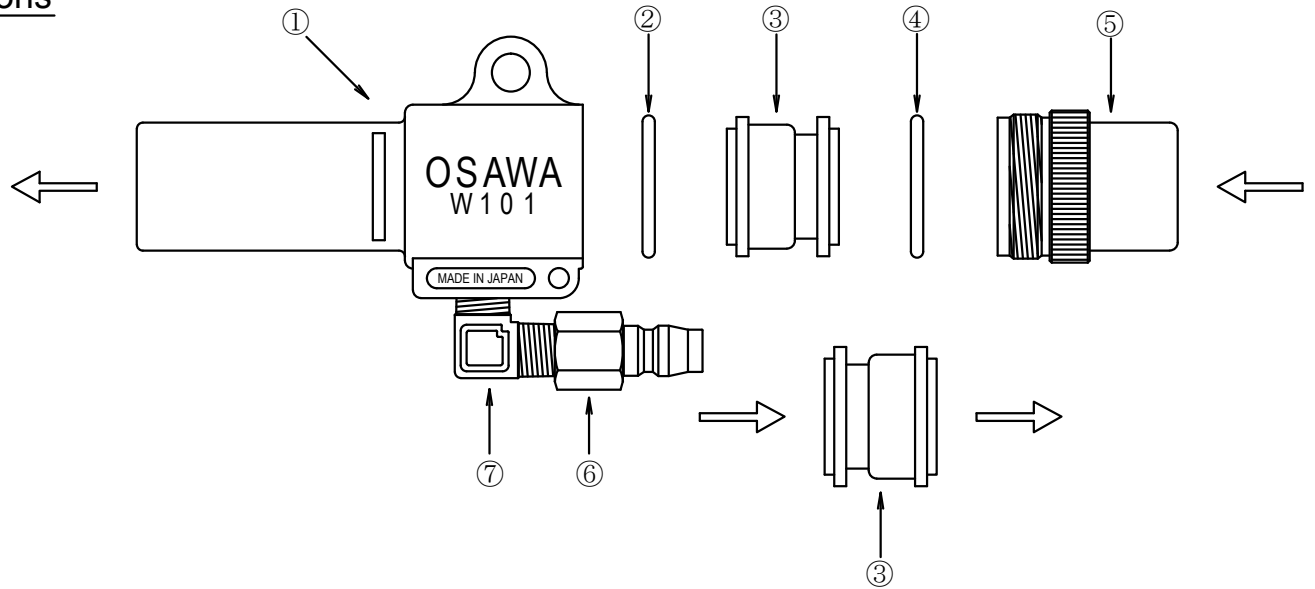
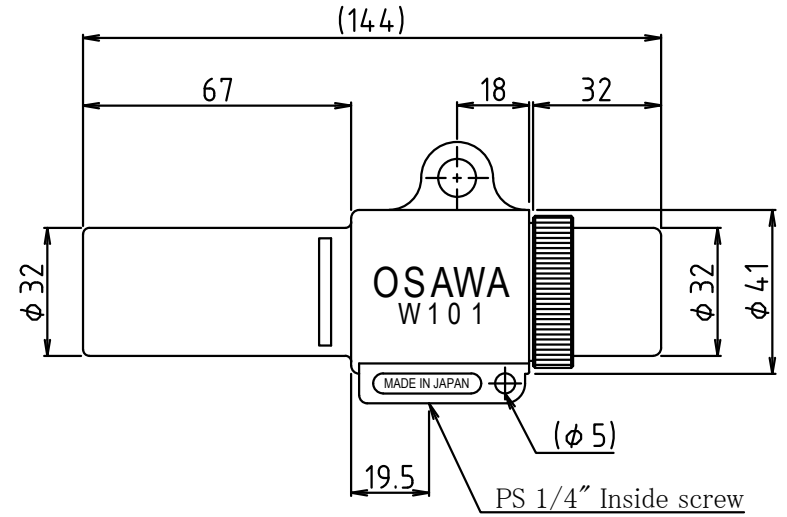
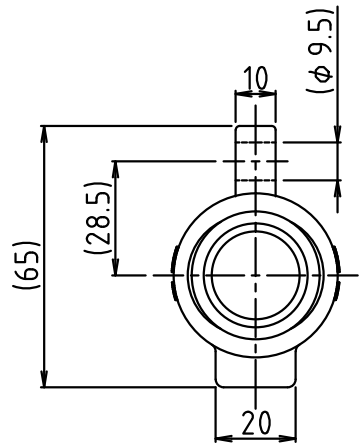


Wonder-Gun W101-III-LH Specifications



← Air flow

③ To change the direction of air flow, just reposition the suction nozzle. Please confirm the direction before operation.



⑦	Elbow	Brass 1/4"
⑥	Air coupler	Iron (Chrome plating)
⑤	Set column	Aluminum (Anodic oxide coating)
④	O ring	NBR G-30
③	Suction nozzle	Aluminum
②	O ring	NBR G-30
①	Wonder-Gun	Aluminum · ADC-12
Name of article		Material · Summaries

Customer:		Issue Date	
Description:		Drawn by:	
		Directed by:	
		Approval:	
Drawing date:	Scale:	Drawing Number	
2007/07/10	--	ESI-17011-1	