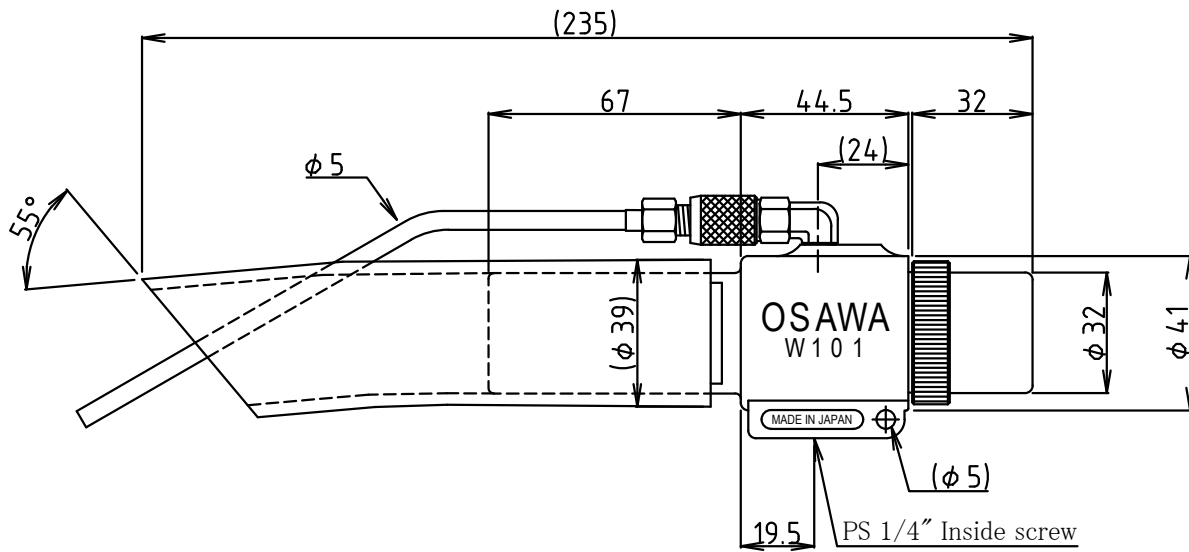
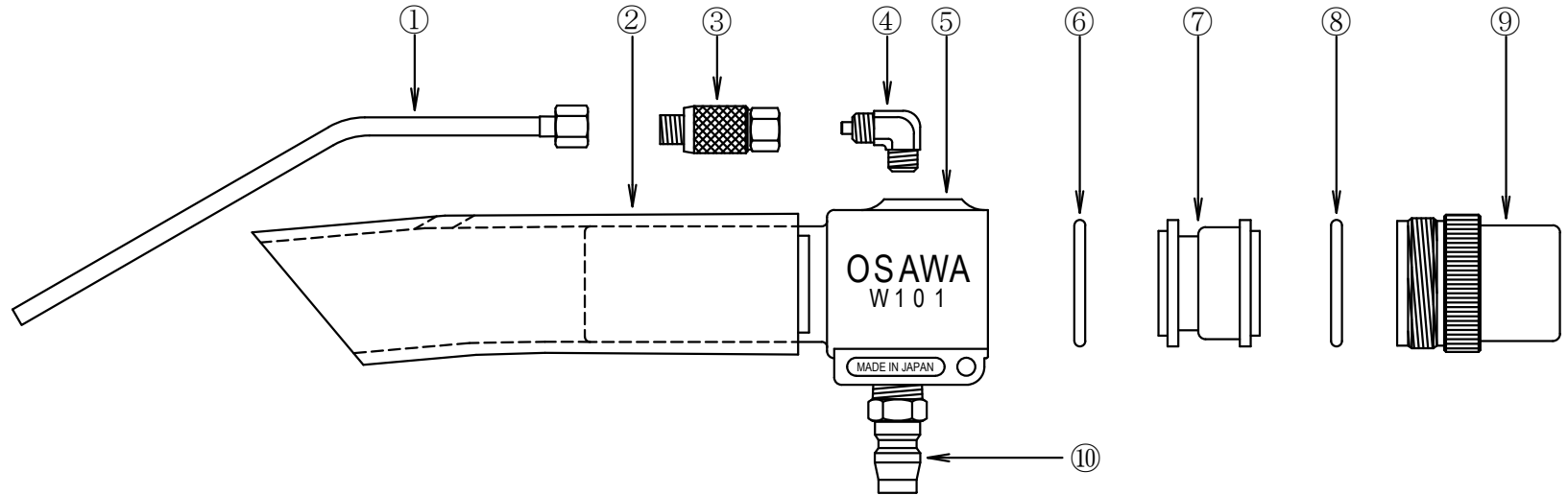


# Wonder-Gun W101-II-TH Specifications



⑩	Air coupler	Iron (Chrome plating)
⑨	Set column	Aluminum (Anodic oxide coating)
⑧	O ring	NBR G-30
⑦	Suction nozzle	Aluminum
⑥	O ring	NBR G-30
⑤	Wonder-Gun body	Aluminum · ADC-12
④	Air blow nozzle elbow	Brass (Chromate conversion coating)
③	Air adjustment valve	Brass (Chromate conversion coating)
②	Suction pipe	Transparent PVC
①	Air blow nozzle	Brass (Chromate conversion coating)
Name of article		Material · Summaries

Customer:		Issue Date
Description:	Drawn by:	
	Directed by:	
	Approval:	
Drawing date: 2008/06/19	Scale: --	Drawing Number ESI-10112-2