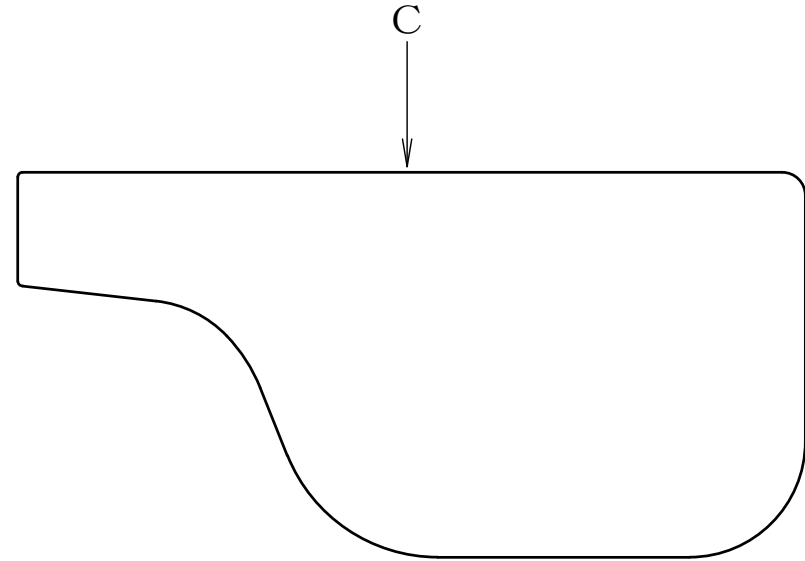
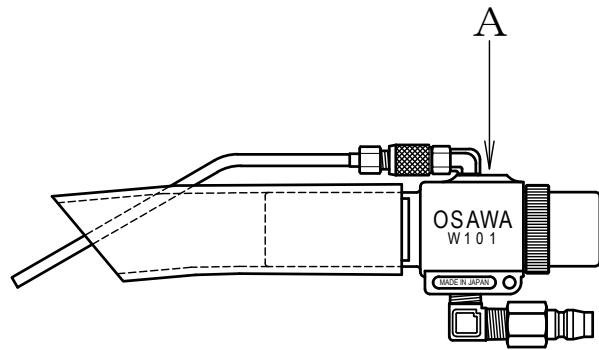


Wonder-Gun W101-II-LH-A Specifications



| | | | |
|-----------------|------------|----------------|------------------------------------|
| | | | |
| C | W1-2 | Dust bag | Slub cloth, etc (370×200mm) |
| B | W1-7 | Hose clamp | Iron (Chromate conversion coating) |
| A | W101-II-LH | Wonder-Gun | Aluminum alloy, etc |
| Name of article | | | Material • Summaries |
| Customer: | | | Issue Date |
| Description: | | Drawn by: | |
| | | Directed by: | |
| | | Approval: | |
| Drawing date: | Scale: | Drawing Number | |
| 2015/11/09 | -- | ESI-10128-3 | |