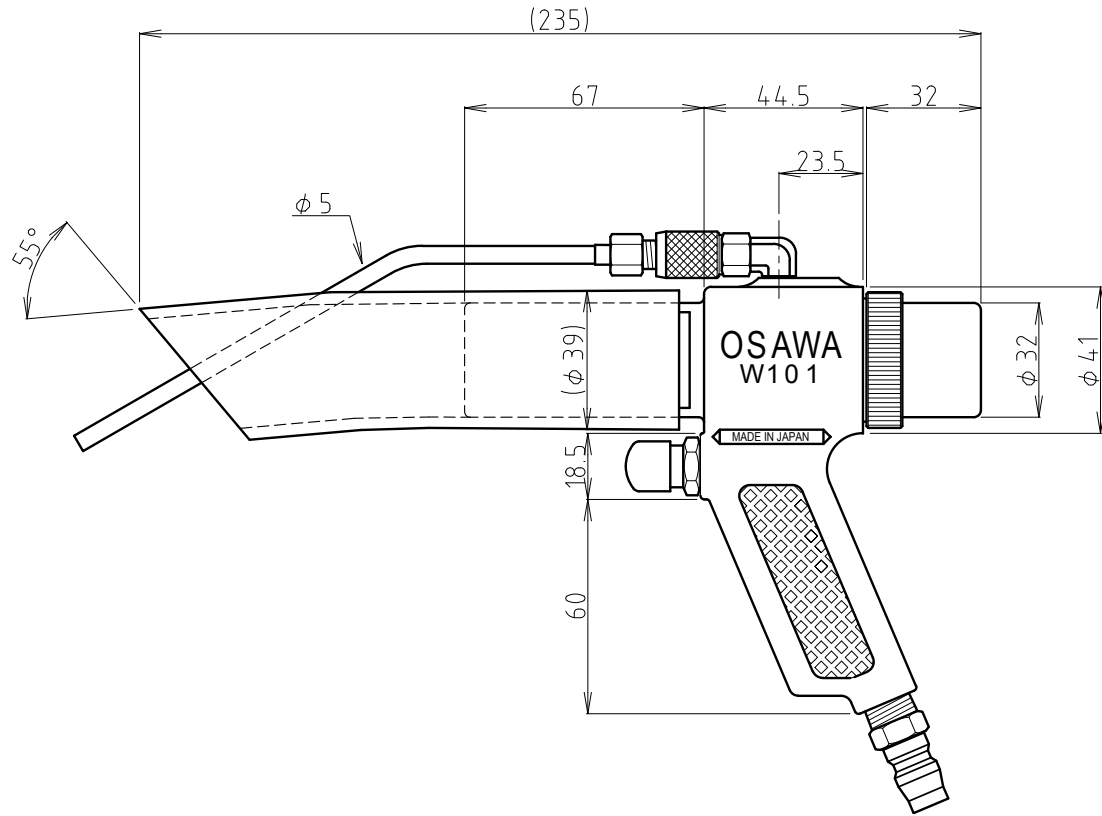
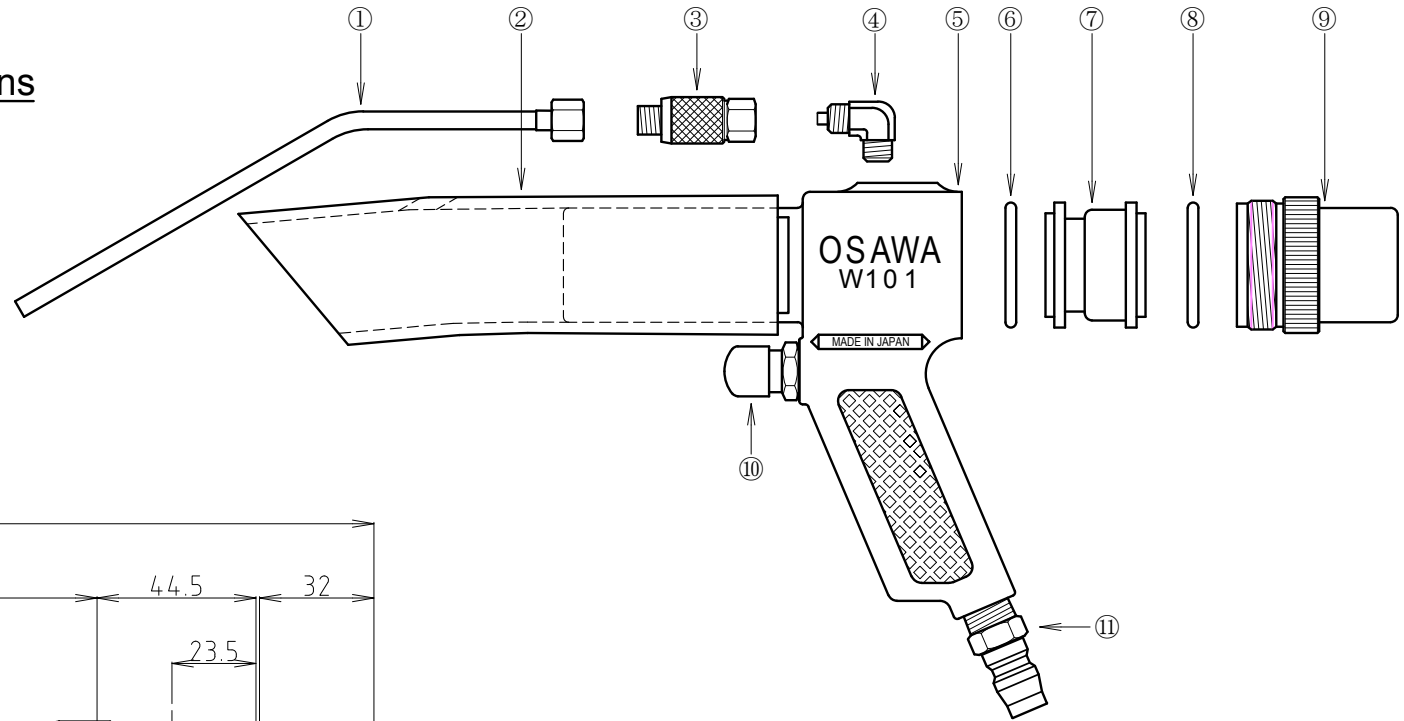


Wonder-Gun W101-II Specifications



⑪	Air coupler	Iron (Chrome plating)
⑩	Air valve	Brass (Chrome plating)
⑨	Set column	Aluminium (Anodic oxide coating)
⑧	O ring	NBR G-30
⑦	Suction nozzle	Aluminium
⑥	O ring	NBR G-30
⑤	Wonder-Gun body	Aluminium alloy • ADC-12
④	Air blow nozzle elbow	Brass (Chromate conversion coating)
③	Air adjustment valve	Brass (Chromate conversion coating)
②	Suction pipe	Transparent PVC
①	Air blow nozzle	Brass (Chromate conversion coating)
Name of article		Material • Summaries

Customer:		Issue Date	
Description:	Drawn by:		
	Directed by:		
	Approval:		
Drawing date: 2012/04/06	Scale: --	Drawing Number ESI-97041	