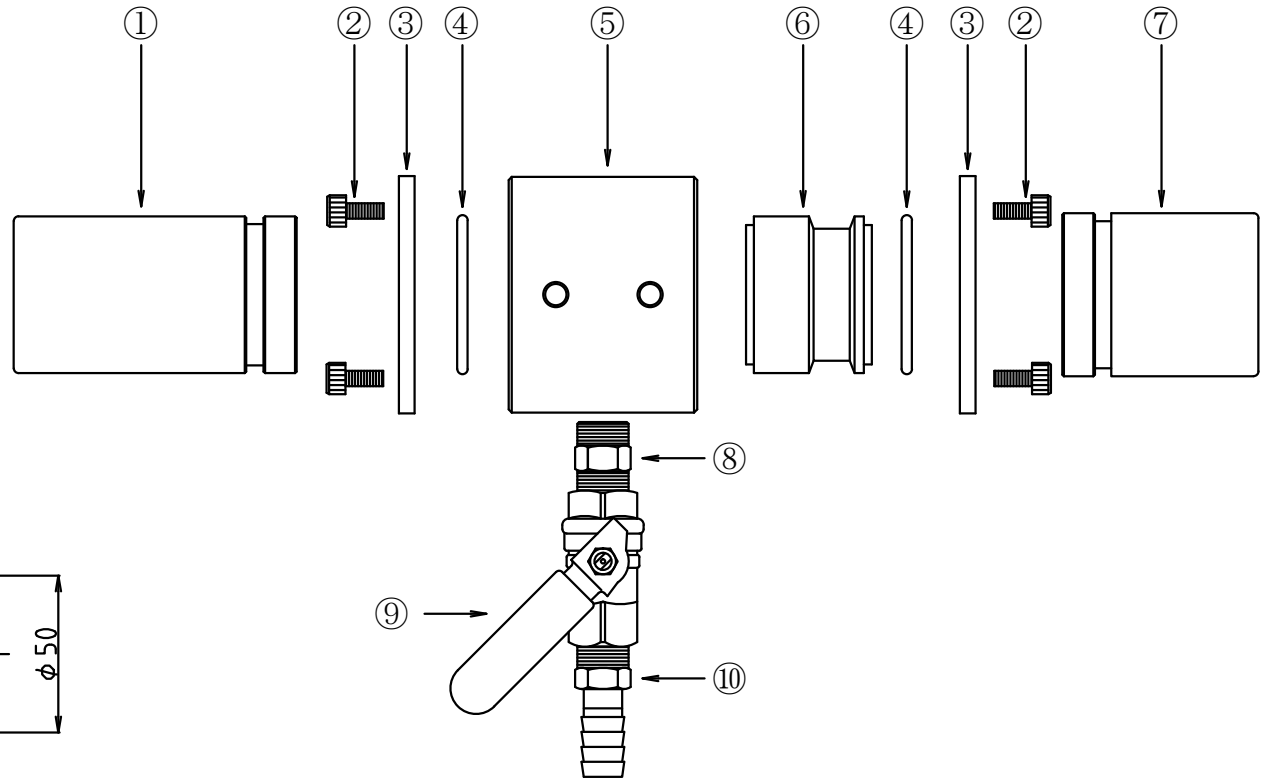
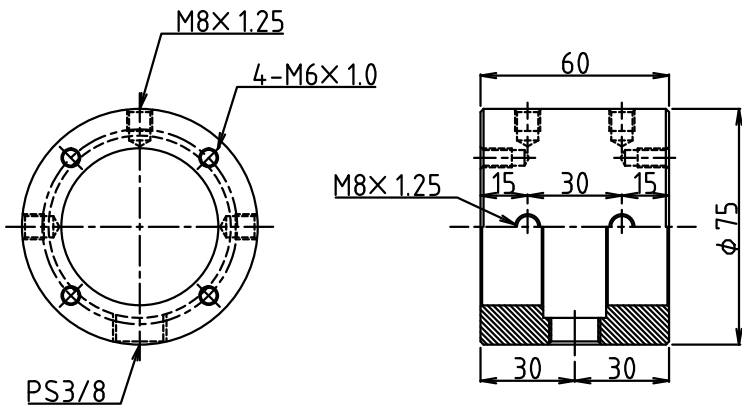
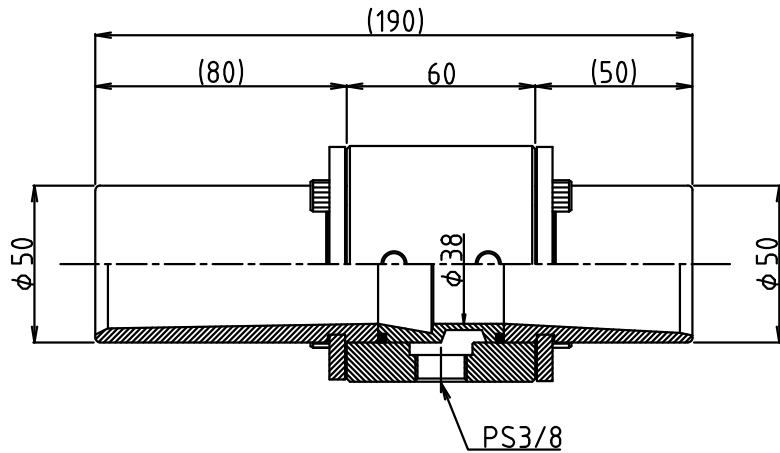


Jumbo model J-38 Specifications



⑩	Hose joint	Brass 3/8" × 14(1/2) (Nickel plating)
⑨	Ball valve	Brass 3/8" full bore
⑧	Nipple	Brass 3/8" (Nickel plating)
⑦	Suction pipe	Aluminum (Anodic oxide coating)
⑥	Suction nozzle	Aluminum (Anodic oxide coating)
⑤	Wonder-Gun body	Iron · S45C (Chrome plating)
④	O ring	NBR G-45
③	Washer	Iron (Chrome plating)
②	Bolt	Iron (Chromate conversion coating)
①	Delivery pipe	Aluminum (Anodic oxide coating)
Name of article		Material · Summaries

Customer:		Issue Date	
Description:	Drawn by:		
	Directed by:		
	Approval:		
Drawing date: 2008/04/25	Scale: --	Drawing Number ESI-98117-1	