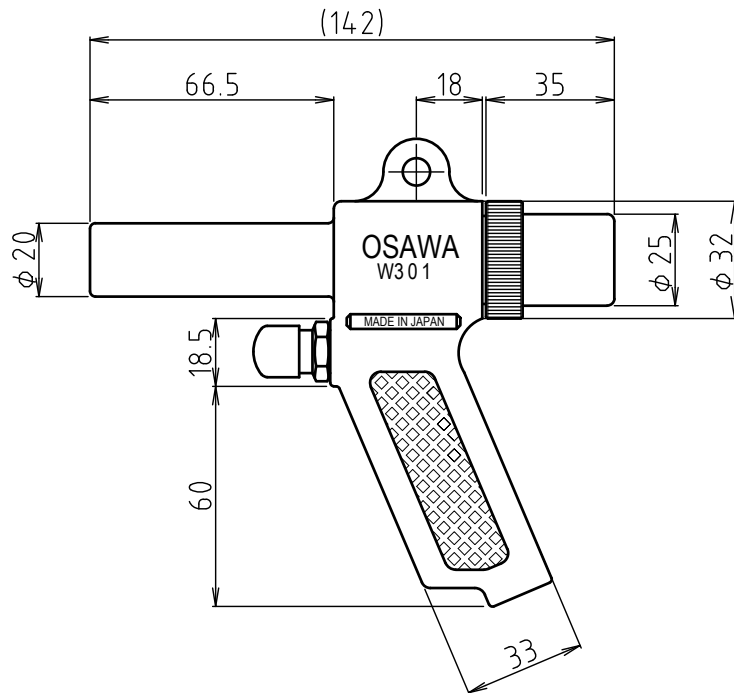
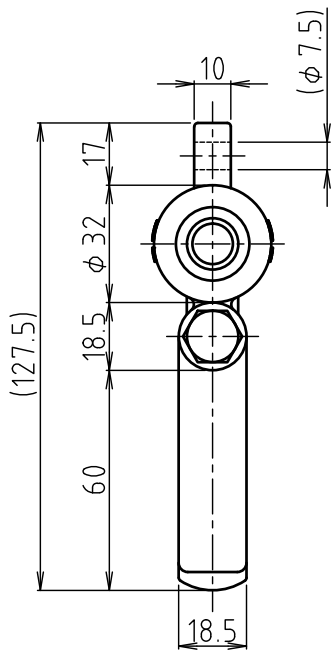
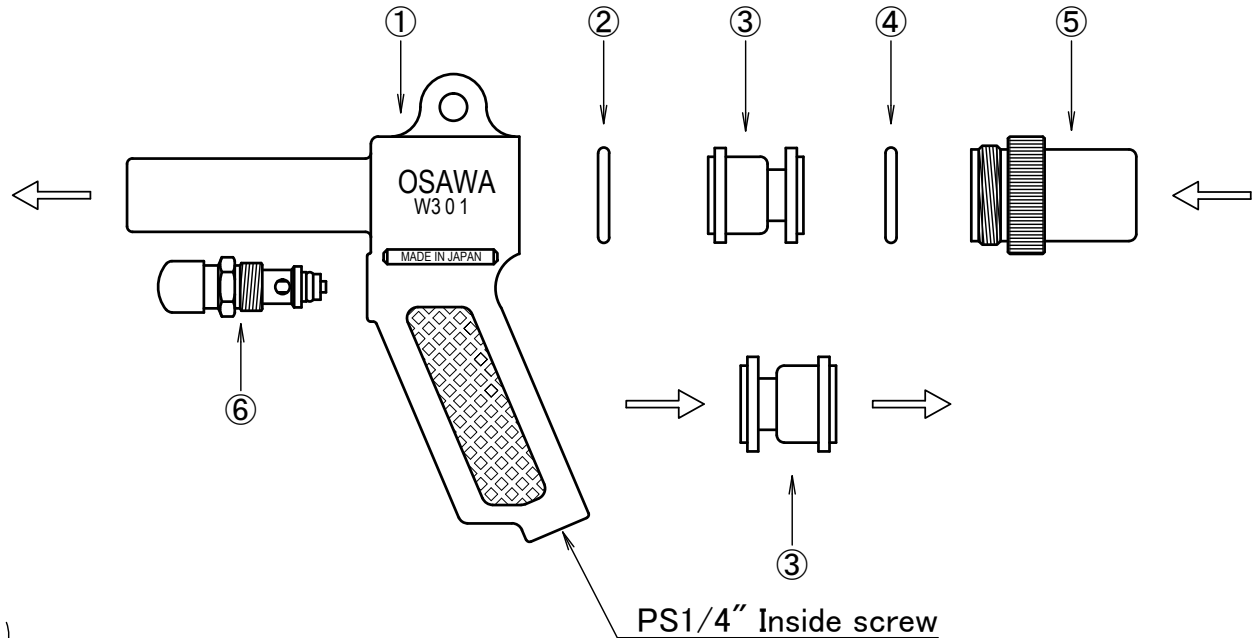


Wonder-Gun W301 Specifications



← Air flow

③ To change the direction of air flow, just reposition the suction nozzle. Please confirm the direction before operation.

Name of article		Material • Summaries
⑥	Air valve	Brass (Chrome plating)
⑤	Set column	Aluminum (Anodic oxide coating)
④	O ring	NBR P-22
③	Suction nozzle	Aluminum
②	O ring	NBR P-22
①	Wonder-Gun	Aluminum alloy • ADC-12
Customer:		Issue Date
Description:		Drawn by:
		Directed by:
		Approval:
Drawing date: 2015/10/08		Scale: - -
		Drawing Number: ESI-02021-2