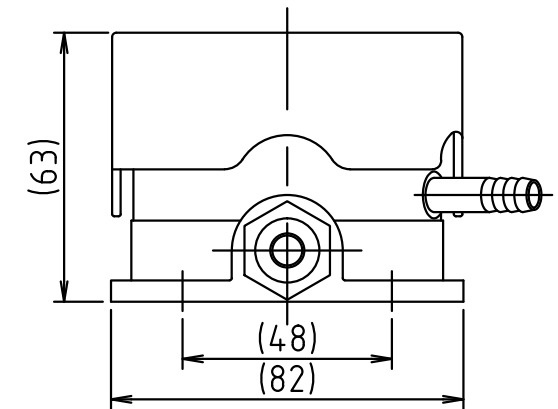
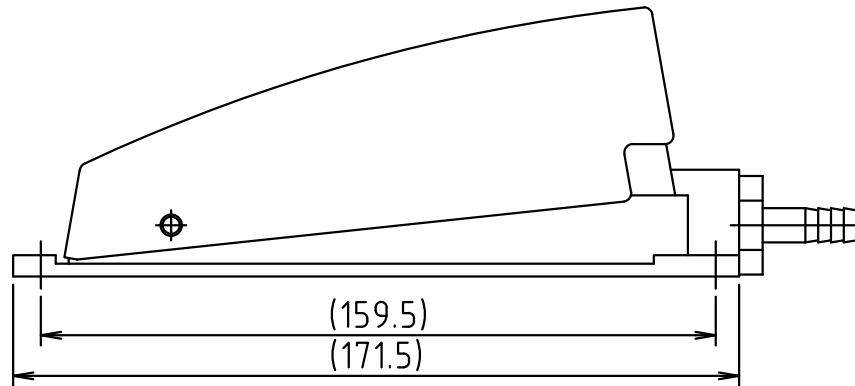
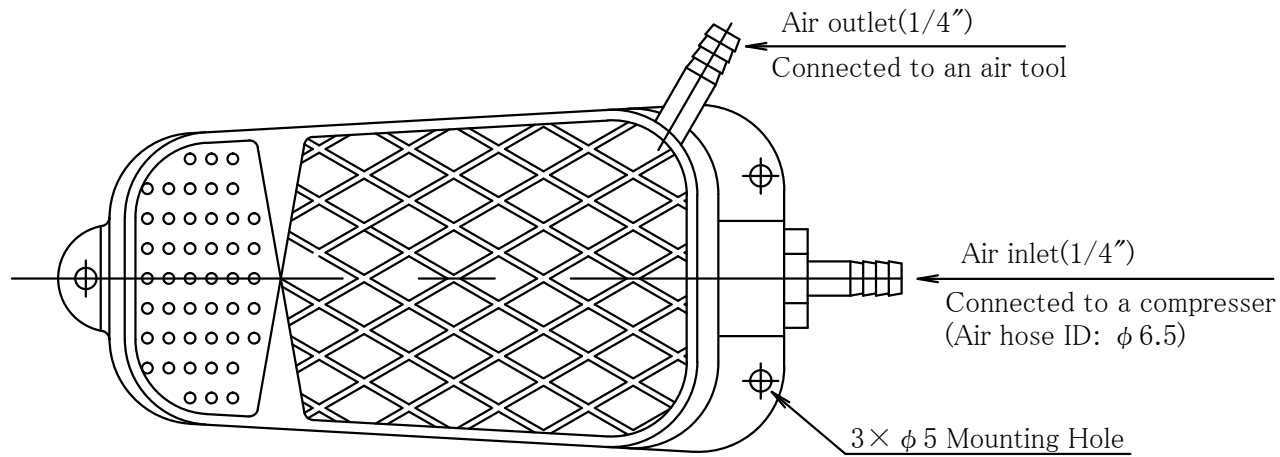
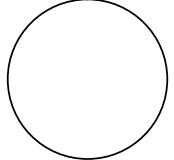


Air Foot Valve FV-10 Specifications

Material: Aluminum die-casting

To start operation, step on the pedal.
To stop operation, release the pedal.



Customer:		Issue Date	
Description:	Drawn by:		
	Directed by:		
	Approval:		
Drawing date: 2008/01/30	Scale: --	Drawing Number ESI-99014	