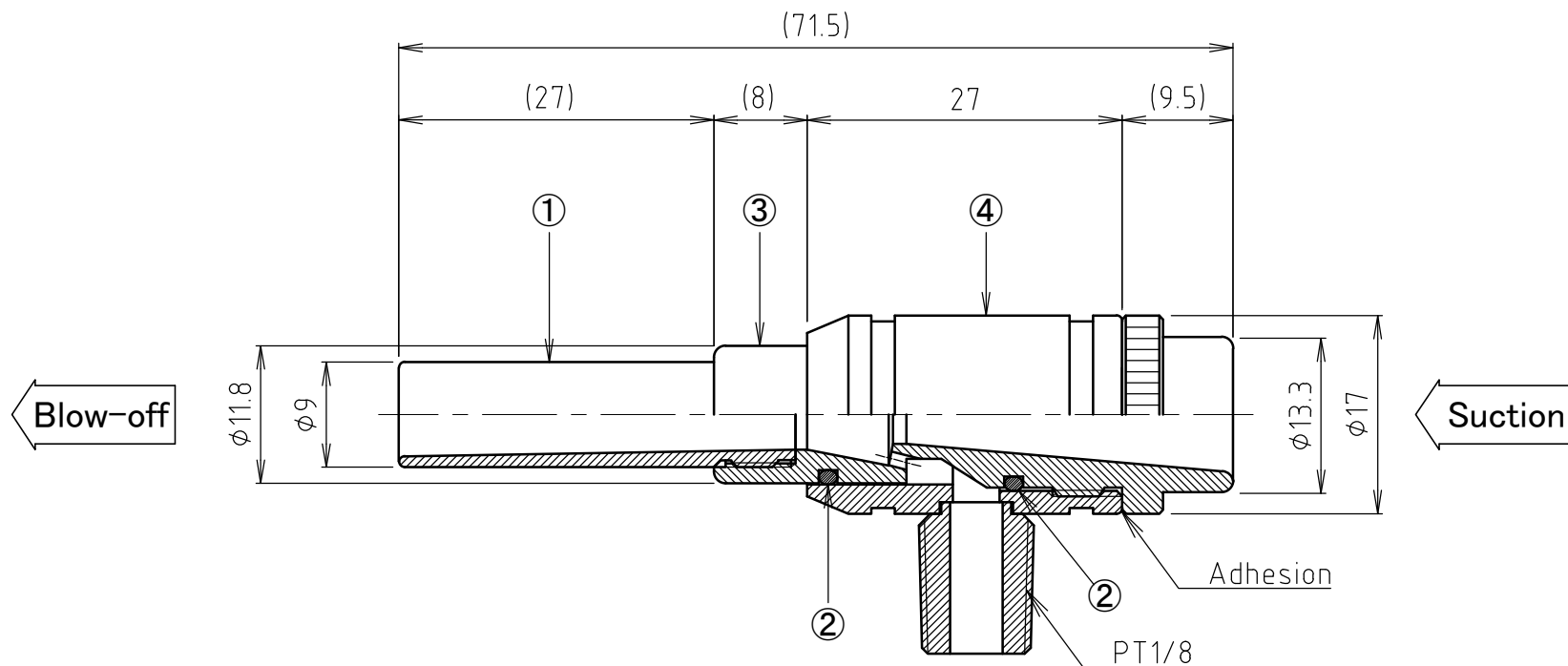
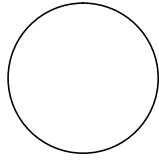


Wonder-Gun W501-S W501-SG Specifications



④	Sleeve	Brass (Yellow chromate conversion coating)
③	Wonder-Gun body	Brass (Yellow chromate conversion coating) Minimum ID: $\phi 5$
②	O ring	NBR S-9 2pieces
①	Nozzle	Brass (Yellow chromate conversion coating)
	Nozzle orifice	W501-S $\phi 1.2 \times 3$ holes W501-SG $\phi 1.2 \times 6$ holes
	Weight	60g
Name of article		Material • Summaries
Customer:		Issue Date 
Description:	Drawn by:	
	Directed by:	
	Approval:	
Drawing date:	Scale:	Drawing Number
2018/12/21	--	ESI-97030-4