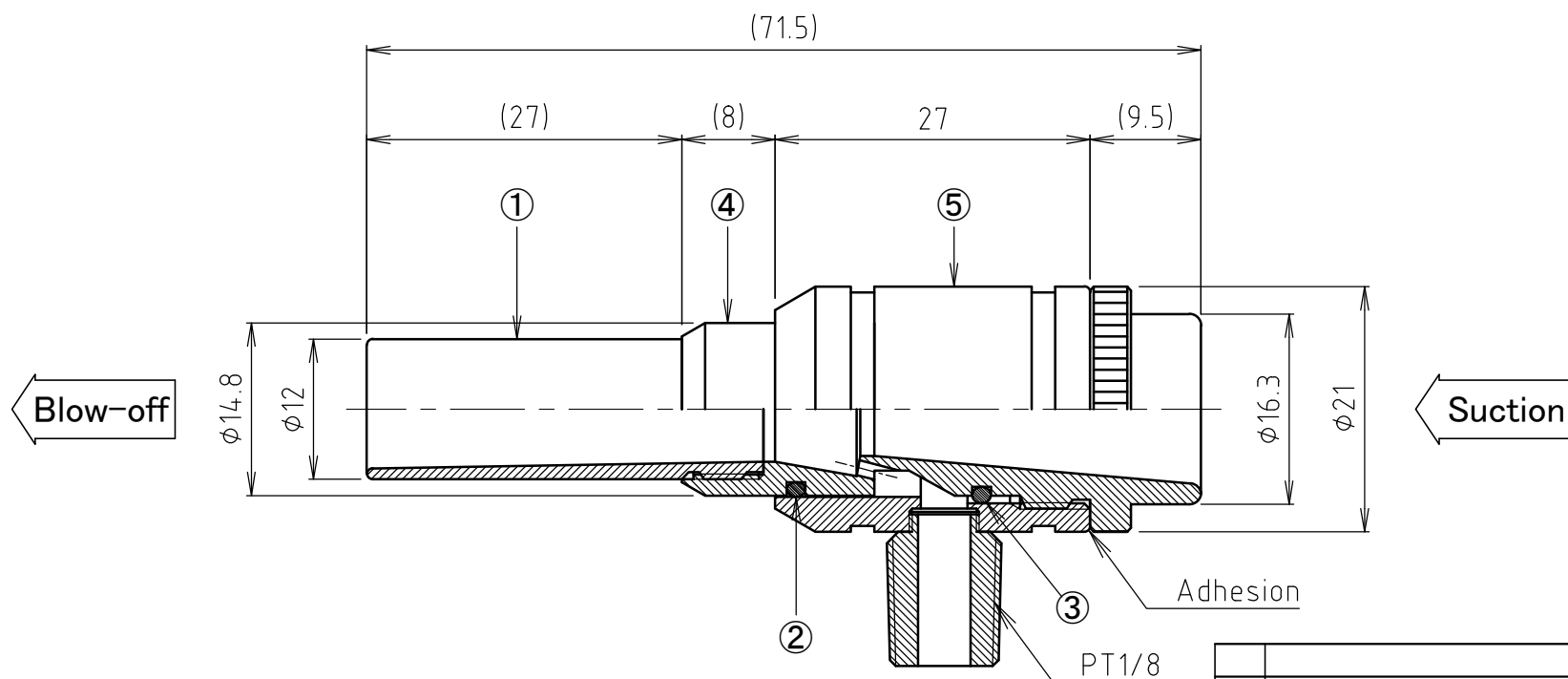


Wonder-Gun W501-L W501-LG Specifications



⑤	Sleeve	Brass (Yellow chromate conversion coating)
④	Wonder-Gun body	Brass (Yellow chromate conversion coating) Minimum ID: $\phi 8$
③	O ring	NBR S-12.5 1piece
②	O ring	NBR S-11.2 1piece
①	Nozzle	Brass (Yellow chromate conversion coating)
	Nozzle orifice	W501-L $\phi 1.3 \times 3$ holes W501-LG $\phi 1.3 \times 6$ holes
	Weight	80g

Name of article		Material • Summaries	
Customer:			Issue Date
Description:	Drawn by:		
	Directed by:		
	Approval:		
Drawing date:	Scale:	Drawing Number	
2018/12/21	--	ESI-97028-5	