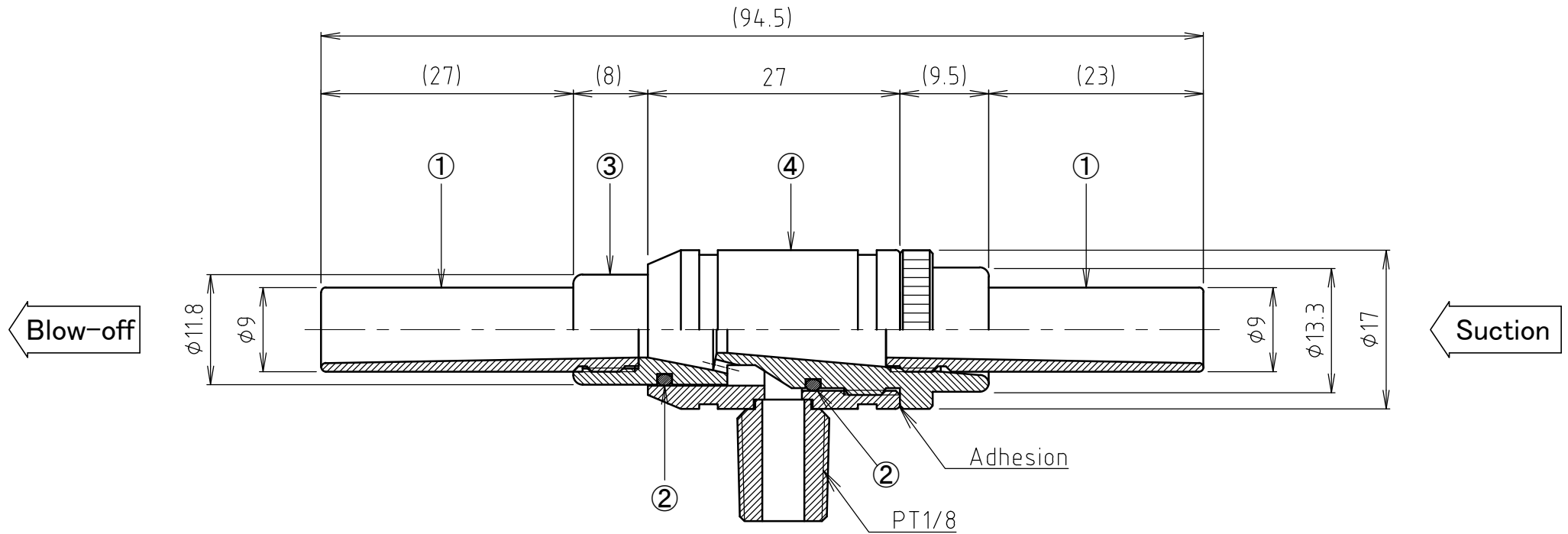


Wonder-Gun NW501-S
NW501-SG Specifications



④	Sleeve	Brass (Yellow chromate conversion coating)
③	Wonder-Gun body	Brass (Yellow chromate conversion coating) Minimum ID: $\phi 5$
②	O ring	NBR S-9 2pieces
①	Nozzle	Brass (Yellow chromate conversion coating)
	Nozzle orifice	NW501-S $\phi 1.2 \times 3$ holes NW501-SG $\phi 1.2 \times 6$ holes
	Weight	60g

Name of article		Material • Summaries	
Customer:			Issue Date
Description:	Drawn by:		
	Directed by:		
	Approval:		
Drawing date:	Scale:	Drawing Number	
2018/12/13	--	ESI-97026-5	