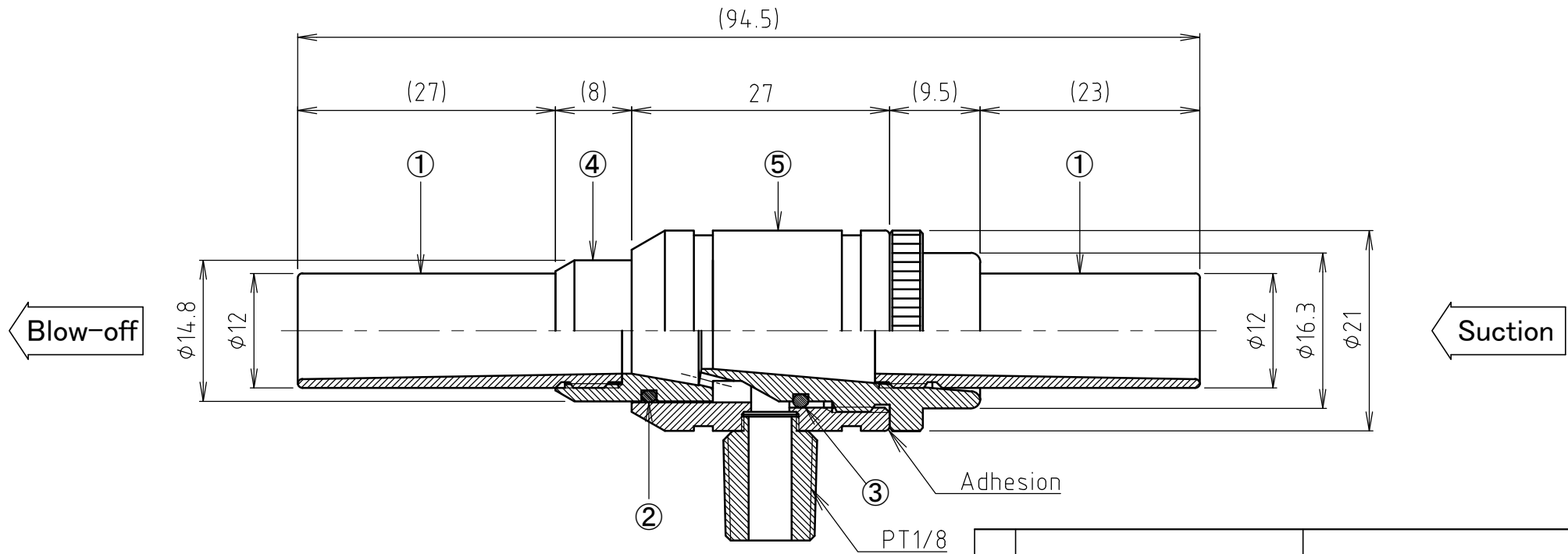


Wonder-Gun NW501-L  
NW501-LG Specifications



⑤	Sleeve	Brass (Yellow chromate conversion coating)
④	Wonder-Gun body	Brass (Yellow chromate conversion coating) Minimum ID: φ8
③	O ring	NBR S-12.5 1piece
②	O ring	NBR S-11.2 1piece
①	Nozzle	Brass (Yellow chromate conversion coating)
	Nozzle orifice	NW501-L φ 1.3×3 holes NW501-LG φ 1.3×6 holes
	Weight	83g

Name of article		Material • Summaries	
Customer:			Issue Date 
Description:	Drawn by:		
	Directed by:		
	Approval:		
Drawing date:	Scale:	Drawing Number	
2018/12/12	--	ESI-97024-6	