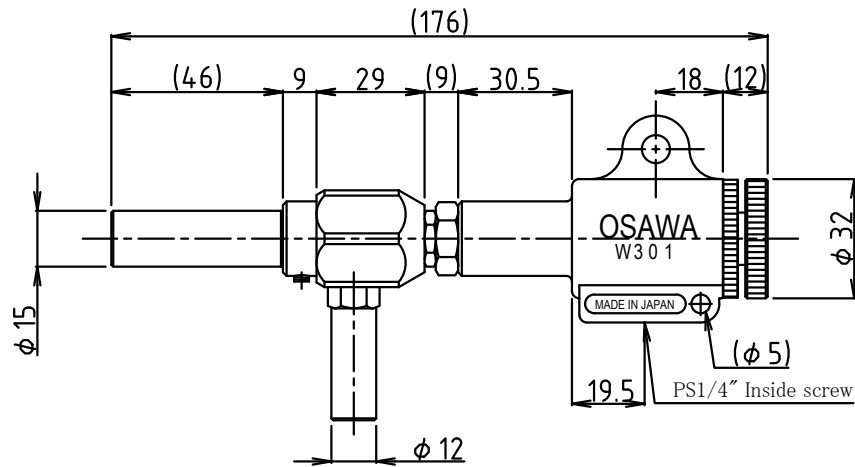
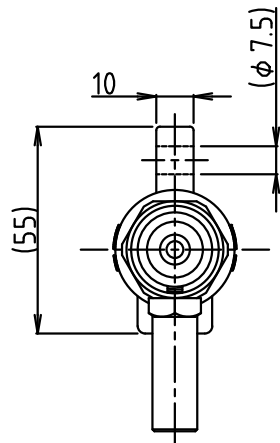
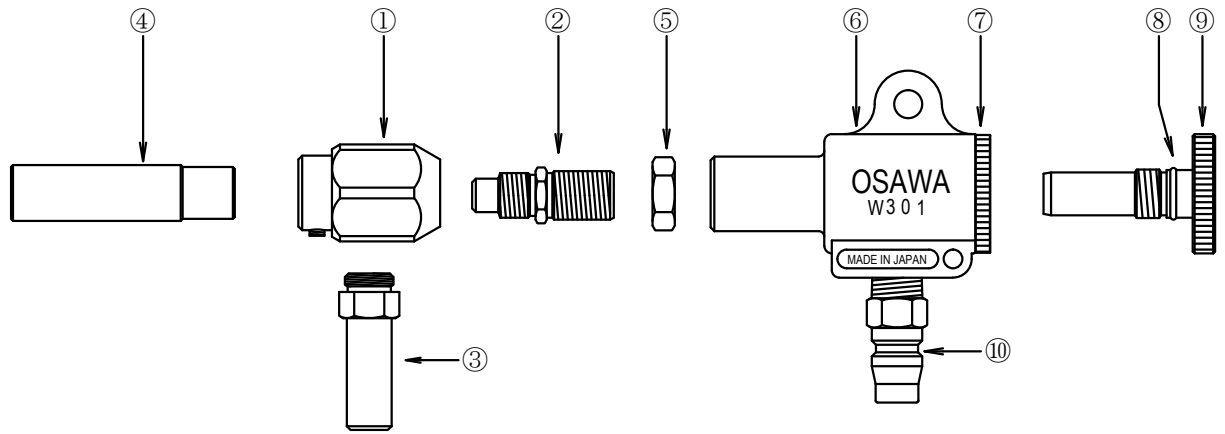


Wonder-Gun W301-ES-26-TH Specifications



①~⑤ make Unit Assembly.

No.	Name of article	Material
⑩	Air coupler	Iron (Chrome plating)
⑨	Air adjustment knob	Aluminium
⑧	O ring	NBR S-10
⑦	Set column	Aluminium
⑥	Wonder-Gun body	Aluminium alloy •ADC-12
⑤	Nut	Brass (Chrome plating)
④	Jet nozzle	Iron •SK4 (Quench hardening)
③	Suction nozzle	Stainless •SUS304
②	Air jet nozzle	Stainless •SUS304
①	Unit main body	Stainless •SUS304
Name of article		Material • Summaries

Customer:		Issue Date	
Description:	Drawn by:		
	Directed by:		
	Approval:		
Drawing date:	Scale:	Drawing Number	
2008/06/24	--	ESI-10108-2	