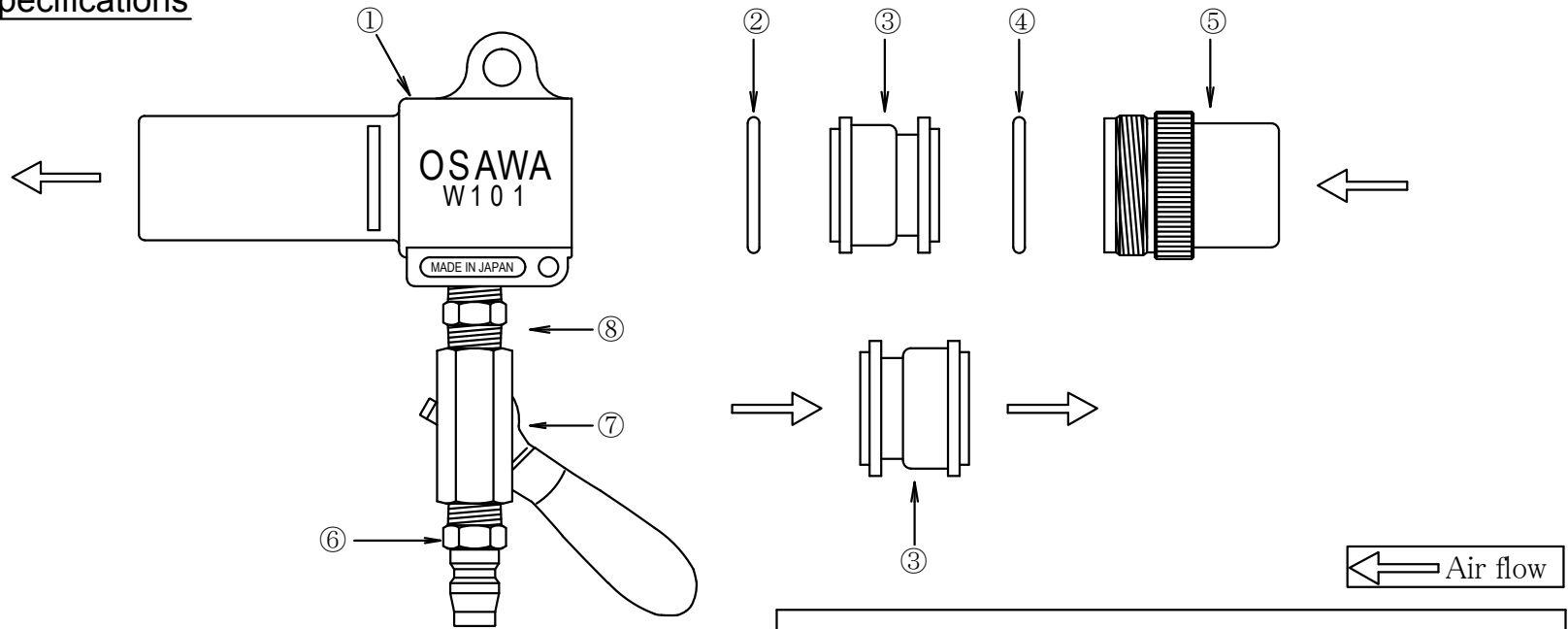
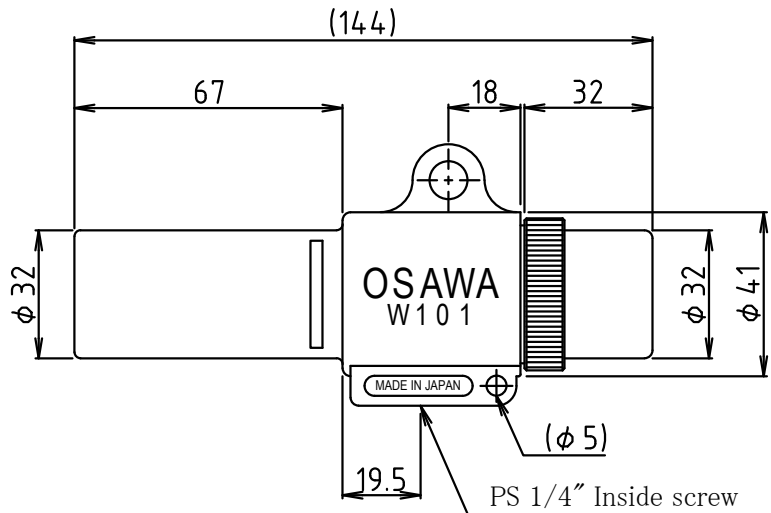
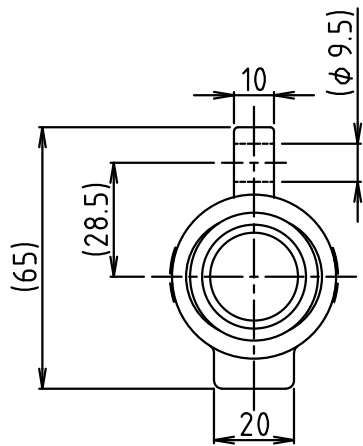


Wonder-Gun W101-III-TC Specifications



③ To change the direction of air flow, just reposition the suction nozzle. Please confirm the direction before operation.



⑧	Nipple	Brass 1/4"
⑦	Ball valve	Brass 1/4"
⑥	Air coupler	Iron (Chrome plating)
⑤	Set column	Aluminum (Anodic oxide coating)
④	O ring	NBR G-30
③	Suction nozzle	Aluminum
②	O ring	NBR G-30
①	Wonder-Gun	Aluminum · ADC-12
Name of article		Material · Summaries

Customer:		Issue Date
Description:	Drawn by:	
	Directed by:	
	Approval:	
Drawing date: 2007/07/10	Scale: --	Drawing Number ESI-17010-1