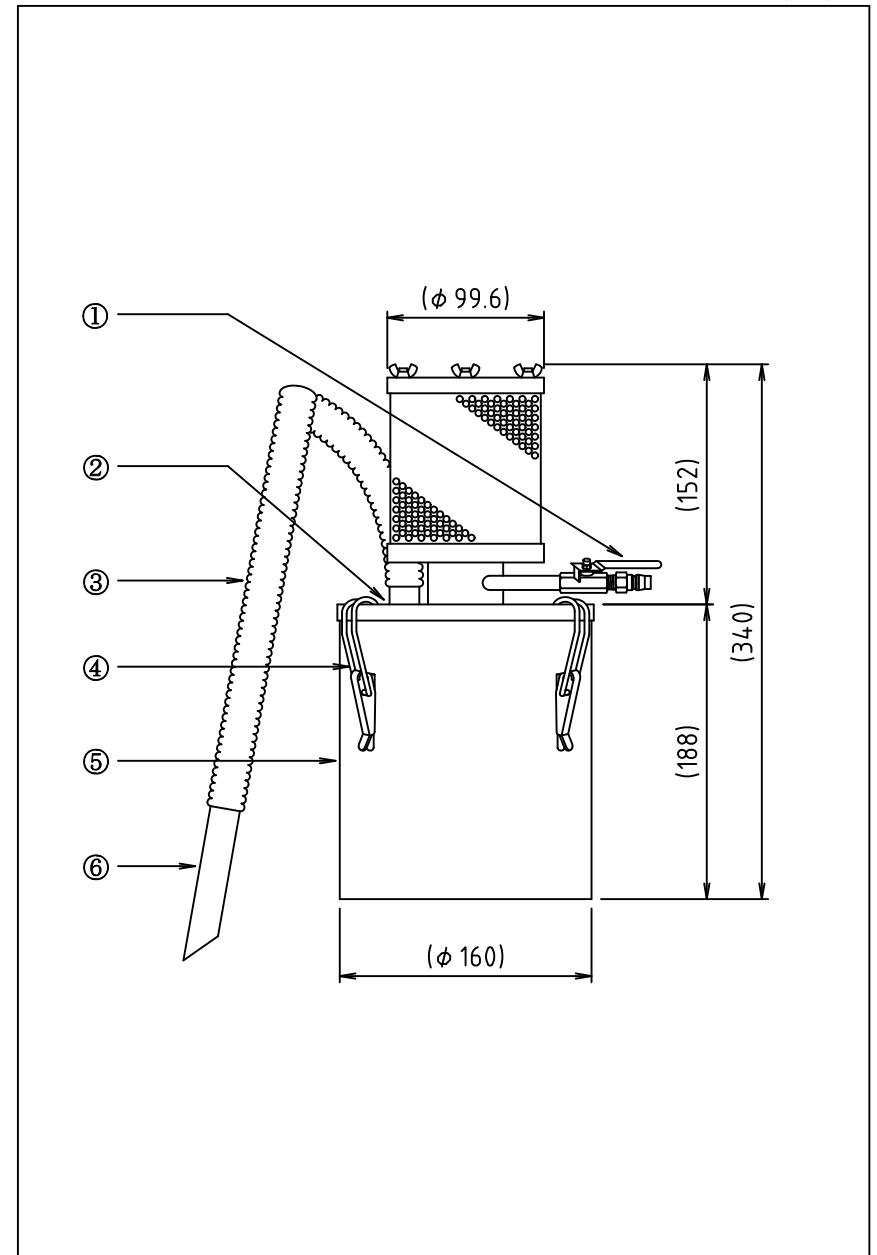


Silent-Cleaner

SC3T-19G Specifications

2008/09/11

Item	Contents
① Hose connection	1/4" ball valve + air coupler
② Cleaner lid	Stainless • SUS304
③ Antistatic hose	PVC (ID ϕ 19×1500mm)
④ Clasps	Iron (Chrome plating) Rivet (Aluminum)
⑤ Tank	Transparent PVC 3 ℓ
⑥ Suction pipe	Stainless • SUS304 (OD ϕ 19×130mm)
O ring	NBR
Air pressure	0.2~0.5MPa (2~5kg/cm ²)
Suction power	-0.0089 ~ -0.021MPa (890 ~ 2210mmAq)
Air consumption	41.3 ~ 82.0 ℓ /min Normal
Weight	1.7kg



Remarks