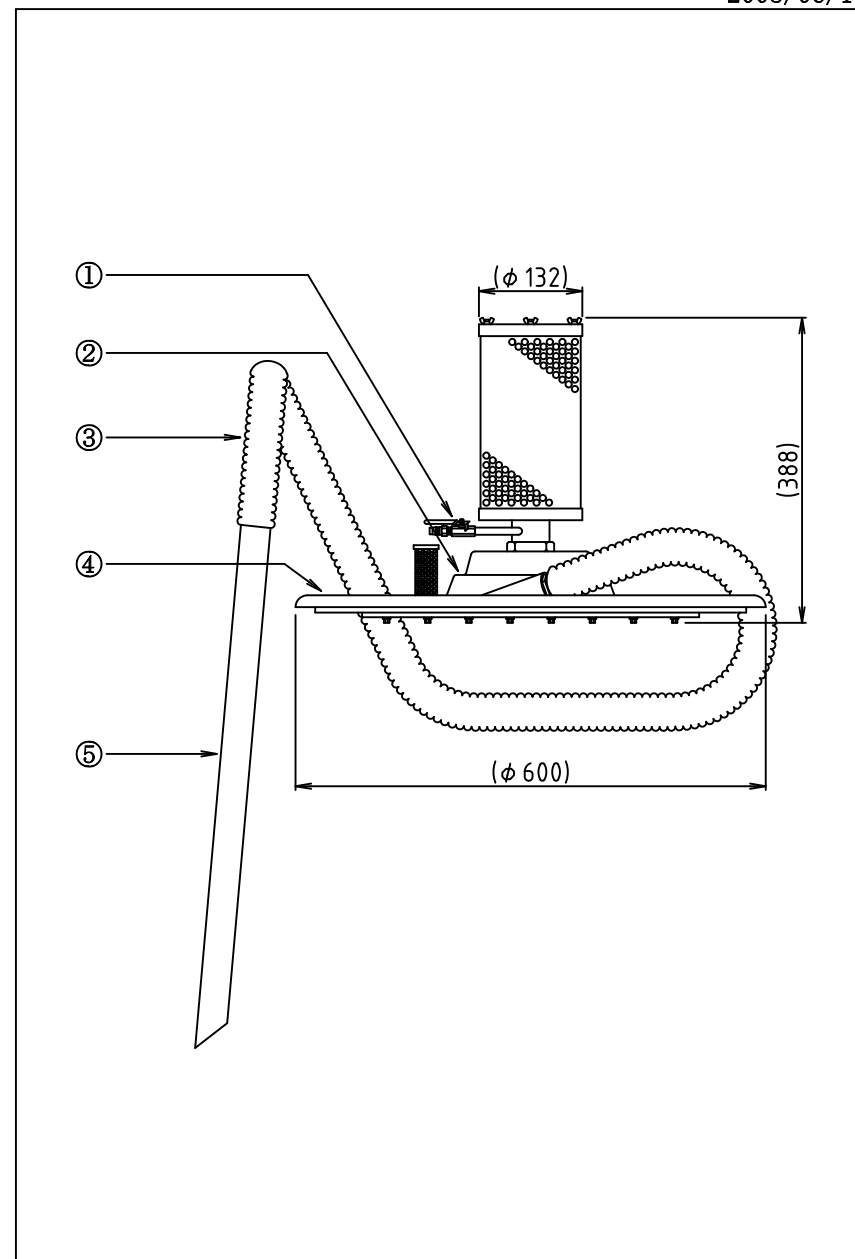


# Silent-Cleaner

## SC200-38DG Specifications

2008/06/10

Item	Contents
① Hose connection	3/8" ball valve + air coupler
② Cleaner lid	Aluminum alloy • AC4C Melamine resin baking finish
③ Hose	Transparent PVC (ID $\phi 38 \times 2000\text{mm}$ )
④ Cleaner lid	Iron
⑤ Suction pipe	PVC (OD $\phi 38 \times 700\text{mm}$ )
O ring	NBR
Air pressure	0.5~0.6MPa (5~6kg/cm <sup>2</sup> )
Suction power	-0.0414 ~ -0.0482MPa (4144 ~ 4816mmAq)
Exhaust sound	58dB(0.5MPa (5kg/cm <sup>2</sup> ))
Air consumption	800 ~ 1000 $\ell$ /min Normal
Weight	12.0kg



Remarks