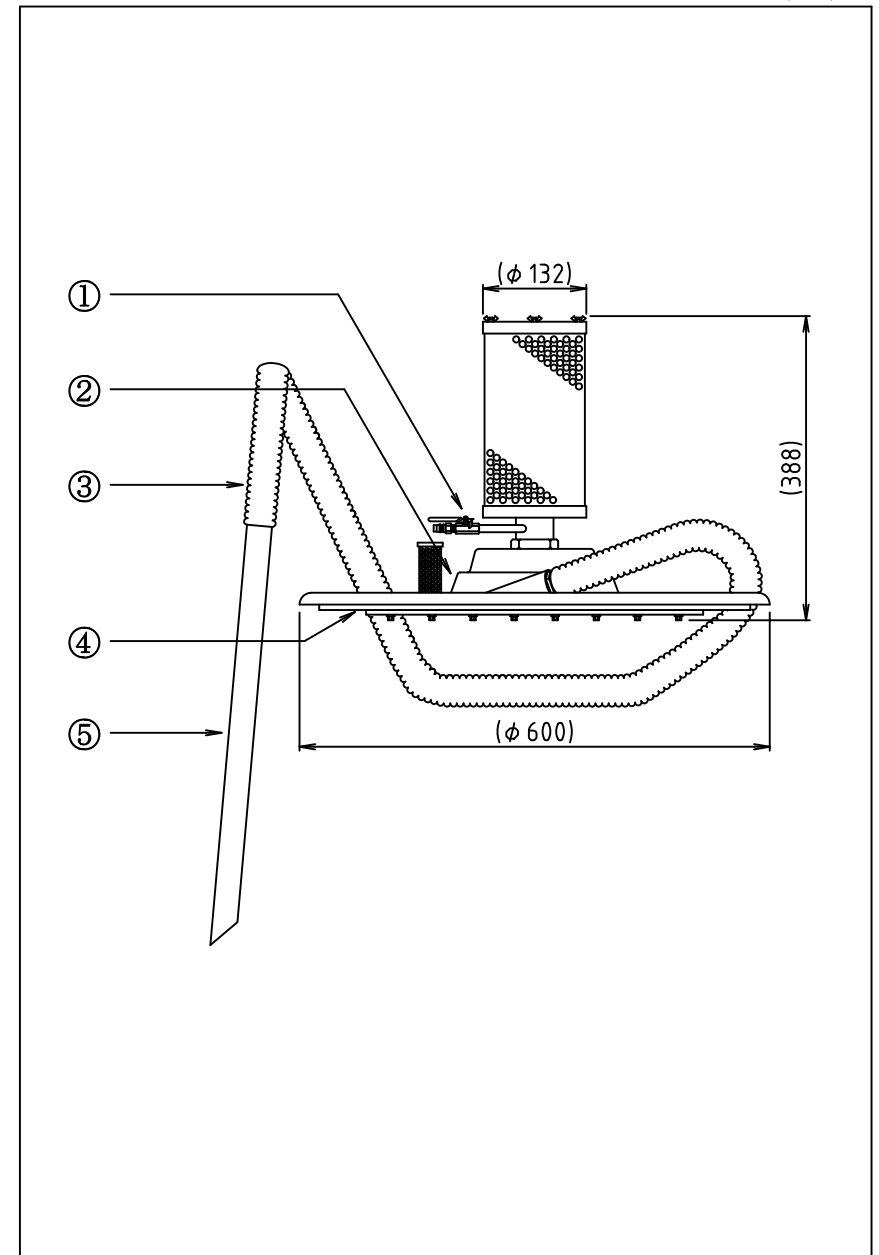


Silent-Cleaner

SC200-32DG Specifications

2008/06/10

Item	Contents
① Hose connect	3/8" ball valve + air coupler
② Cleaner lid	Aluminum alloy • AC4C Melamine resin baking finish
③ Hose	Transparent PVC (ID ϕ 32×2000mm)
④ Cleaner lid	Iron
⑤ Suction pipe	PVC (OD ϕ 32×700mm)
O ring	NBR
Air pressure	0.5~0.6MPa (5~6kg/cm ²)
Suction power	-0.0414 ~ -0.0482MPa (4144 ~ 4816mmAq)
Exhaust sound	58dB(0.5MPa (5kg/cm ²))
Air consumption	800 ~ 1000 ℓ /min Normal
Weight	12.0kg



Remarks