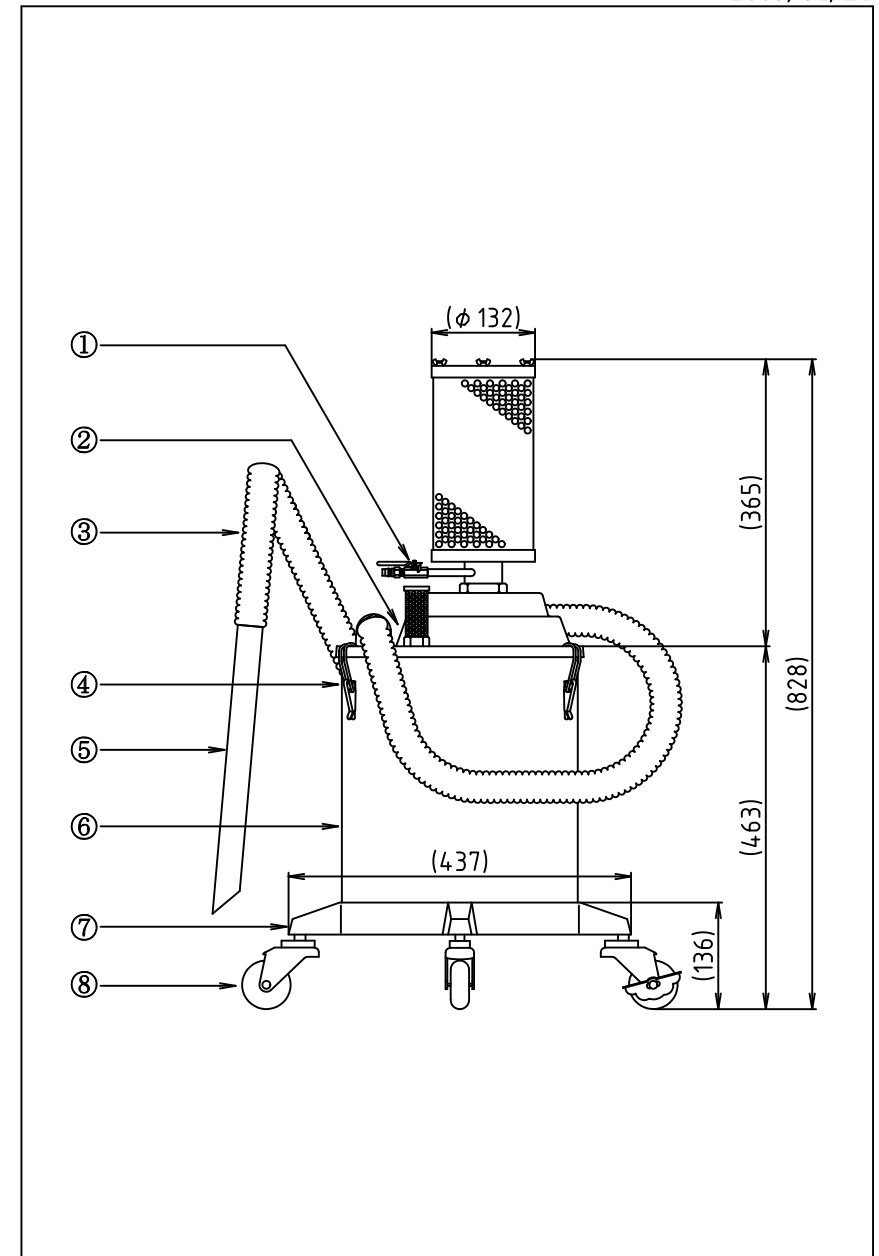


# Silent-Cleaner

## SC20-32 Specifications

2009/04/24

Item	Contents
① Hose connection	3/8" ball valve + air coupler
② Cleaner lid	Aluminum alloy • AC4C Melamine resin baking finish
③ Hose	Transparent PVC (ID $\phi$ 32×2000mm)
④ Clasps	Iron (Chrome plating) Rivet (Aluminum)
⑤ Suction pipe	PVC (OD $\phi$ 32×400mm)
⑥ Tank	Iron 20 $\ell$ Baking finish
⑦ Stand	Aluminum alloy resin •AC4C Melamine resin baking finish
⑧ Casters	Conductive casters / 4 pieces (1 equipped with a break)
O ring	NBR
Air pressure	0.5~0.6MPa (5~6kg/cm <sup>2</sup> )
Suction power	-0.0283 ~ -0.0333MPa (2828 ~ 3332mmAq)
Exhaust sound	60dB (0.5MPa (5kg/cm <sup>2</sup> ))
Air consumption	369 ~ 430 $\ell$ /min Normal
Weight	10.0kg



Remarks