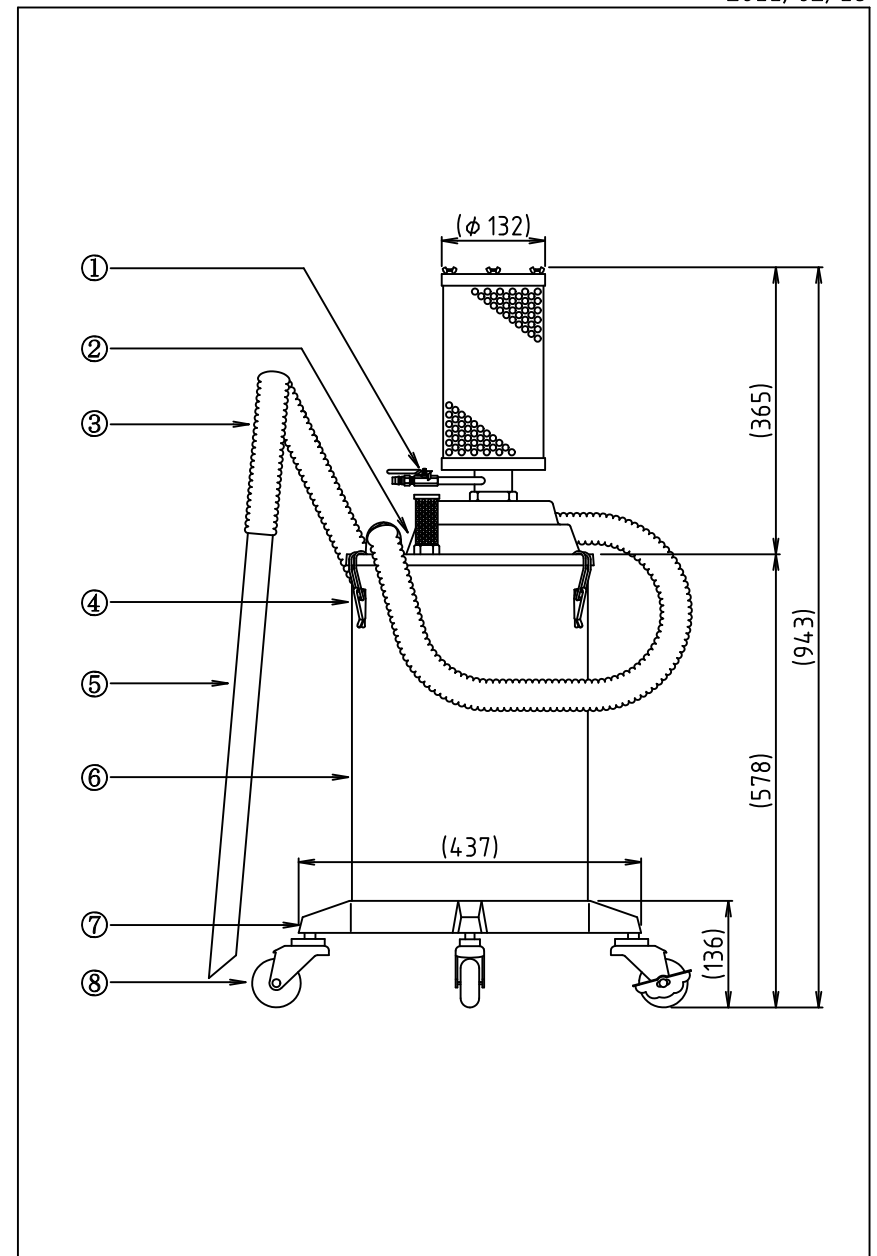


Silent-Cleaner

SC30-32SG Specifications

2011/02/15

Item	Contents
① Hose connection	3/8" ball valve + air coupler
② Cleaner lid	Aluminum alloy • AC4C Melamine resin baking finish
③ Hose	Transparent PVC (ID ϕ 32×2000mm)
④ Clasps	Iron (Chrome plating) Rivet (Aluminum)
⑤ Suction pipe	PVC (OD ϕ 32×600mm)
⑥ Tank	Stainless • SUS304 30 μ
⑦ Stand	Aluminum alloy resin • AC4C Melamine resin baking finish
⑧ Casters	Conductive casters / 4 pieces (1 equipped with a break)
O ring	NBR
Air pressure	0.5~0.6MPa (5~6kg/cm ²)
Suction power	-0.0361 ~ -0.0424MPa (3612 ~ 4242mmAq)
Exhaust sound	60dB (0.5MPa (5kg/cm ²))
Air consumption	492 ~ 574 L / min Normal
Weight	11.0kg



Remarks