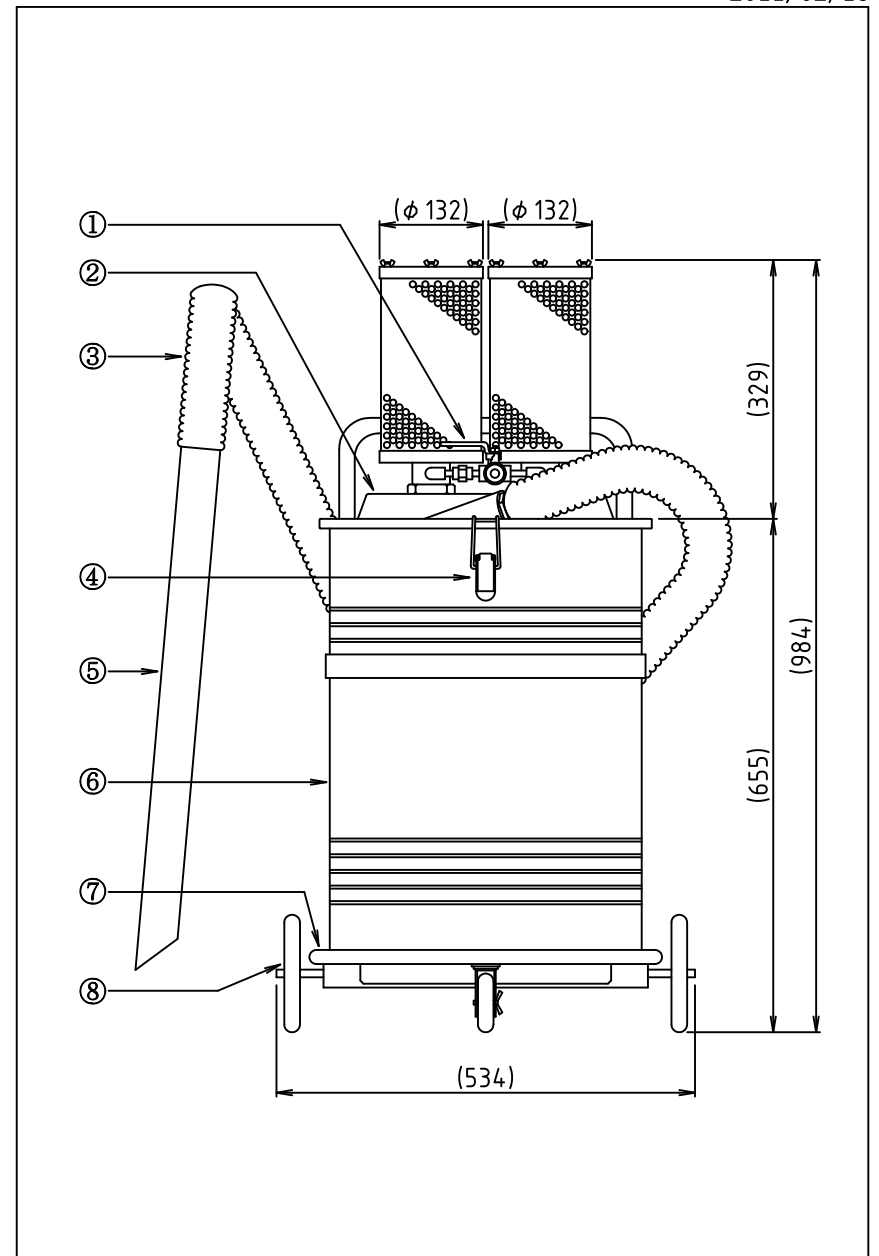


Silent-Cleaner

SC60-50S Specifications

2011/02/15

Item	Contents
① Hose connection	3/4" ball valve + 3/4" hose joint
② Cleaner lid	Aluminum alloy • AC4C Melamine resin baking finish
③ Hose	Transparent PVC (ID ϕ 50×2000mm)
④ Clasps	Iron (Chrome plating) Rivet (Aluminum)
⑤ Suction pipe	Aluminum (OD ϕ 50×700mm)
⑥ Tank	Stainless • SUS304 60 ℓ
⑦ Stand	Iron (Chrome plating)
⑧ Casters	2 rubber casters/1 conductive caster equipped with a break
O ring	NBR
Air pressure	0.5~0.6MPa (5~6kg/cm ²)
Suction power	-0.0333 ~ -0.0403MPa (3332 ~ 4032mmAq)
Exhaust sound	58dB (0.5MPa (5kg/cm ²))
Air consumption	1418 ~ 1654 ℓ /min Normal
Weight	23.5kg



Remarks