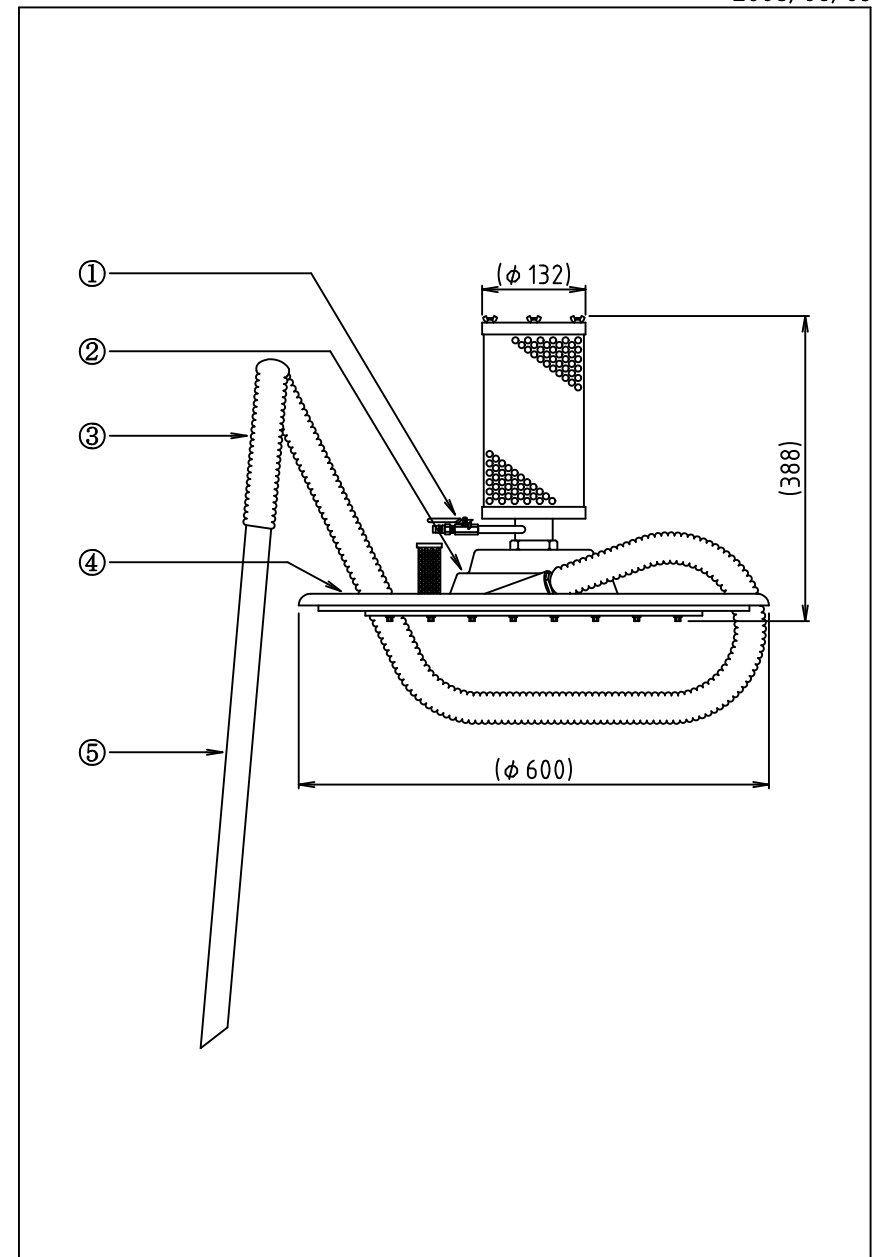


# Silent-Cleaner

## SC200-32D Specifications

2008/06/09

Item	Contents
① Hose connect	3/8" ball valve + air coupler
② Cleaner lid	Aluminum alloy • AC4C Melamine resin baking finish
③ Hose	Transparent PVC (ID $\phi$ 32×2000mm)
④ Cleaner lid	Iron
⑤ Suction pipe	PVC (OD $\phi$ 32×700mm)
O ring	NBR
Air pressure	0.5~0.6MPa (5~6kg/cm <sup>2</sup> )
Suction power	-0.0291 ~ -0.0351MPa (2912 ~ 3514mmAq)
Exhaust sound	58dB(0.5MPa (5kg/cm <sup>2</sup> ))
Air consumption	709 ~ 827 ℓ /min Normal
Weight	12.0kg



Remarks