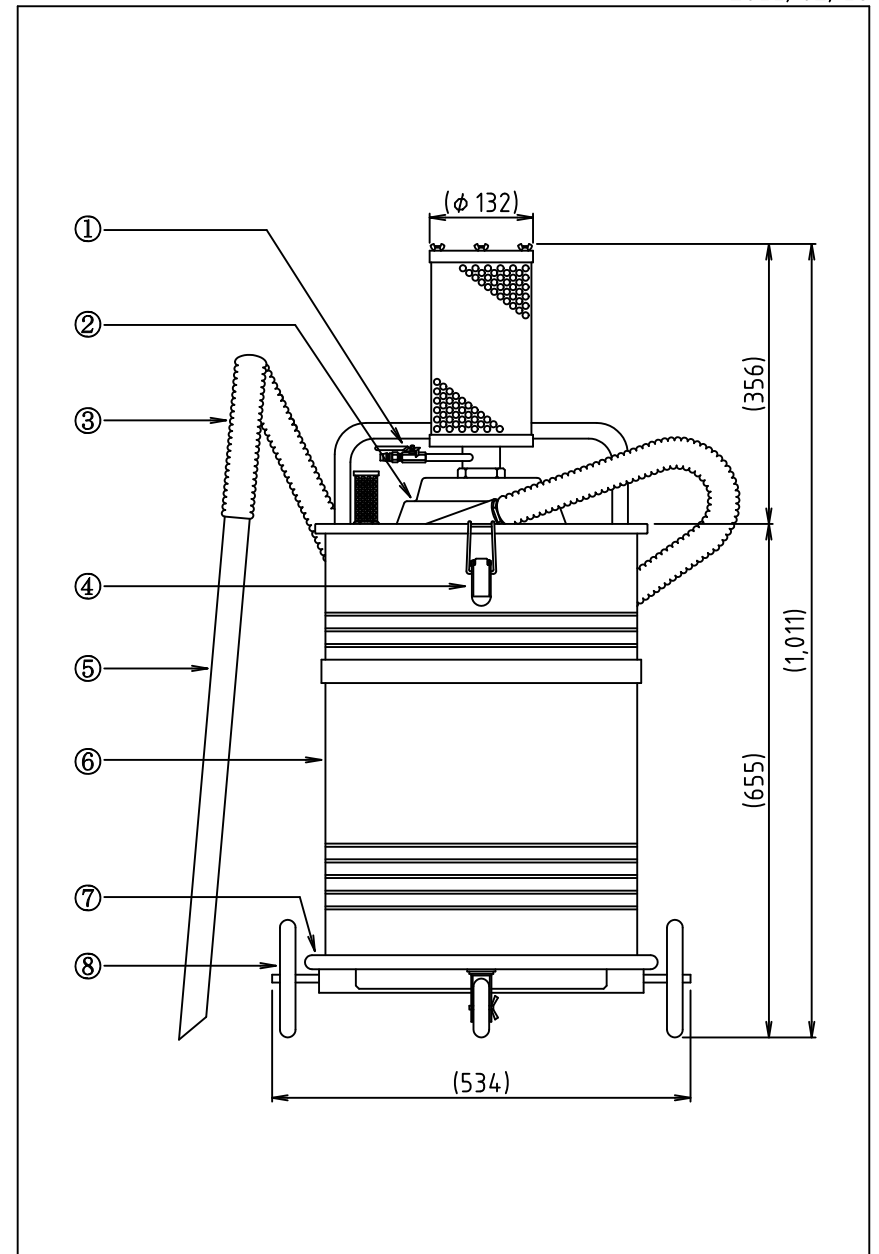


Silent-Cleaner

SC60-32S Specifications

2011/02/15

Item	Contents
① Hose connection	3/8" ball valve + air coupler
② Cleaner lid	Aluminum alloy • AC4C Melamine resin baking finish
③ Hose	Transparent PVC (ID ϕ 32×2000mm)
④ Clasps	Iron (Chrome plating) Rivet (Aluminum)
⑤ Suction pipe	PVC (OD ϕ 32×700mm)
⑥ Tank	Stainless • SUS304 60 ℓ
⑦ Stand	Iron (Chrome plating)
⑧ Casters	2 rubber casters/1 conductive caster equipped with a break
O ring	NBR
Air pressure	0.5~0.6MPa (5~6kg/cm ²)
Suction power	-0.0291 ~ -0.0351MPa (2912 ~ 3514mmAq)
Exhaust sound	60dB (0.5MPa (5kg/cm ²))
Air consumption	709 ~ 827 ℓ /min Normal
Weight	18.5kg



Remarks