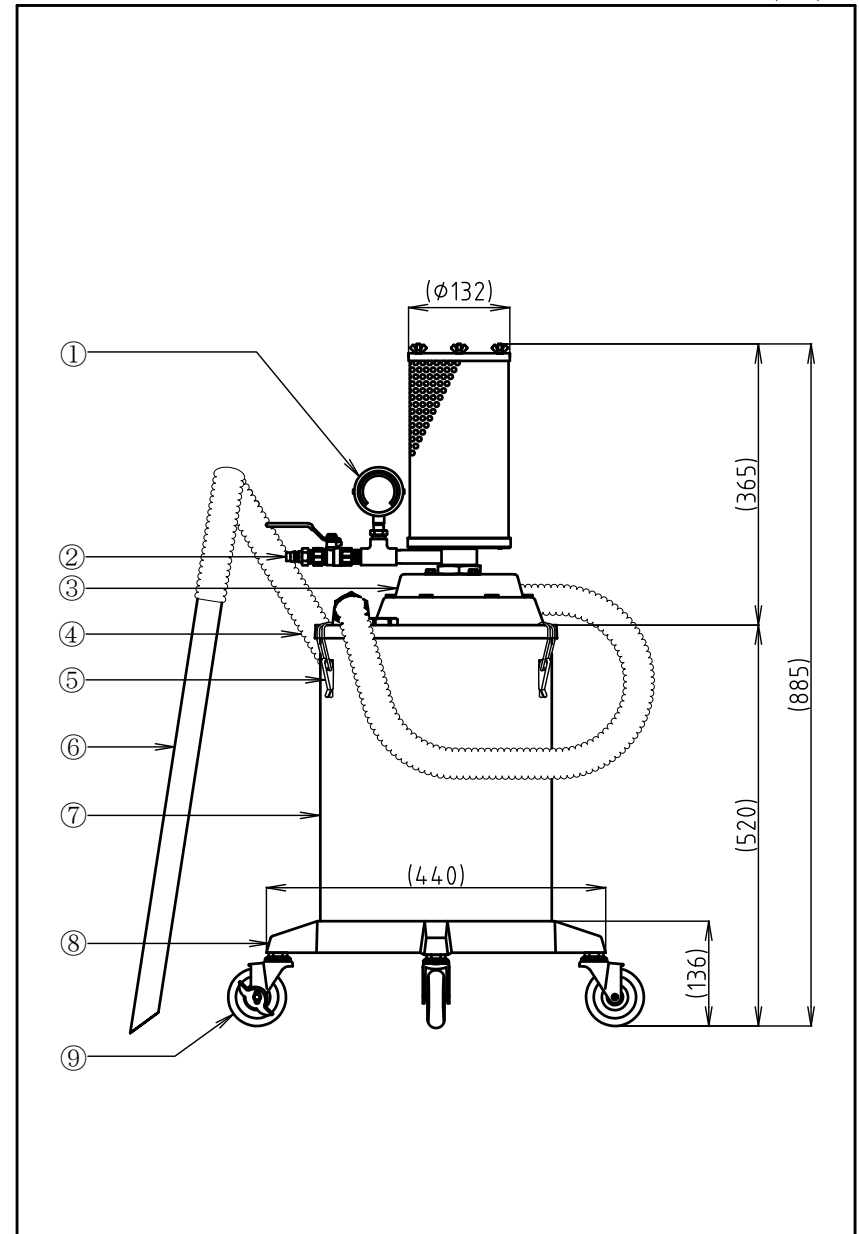


Silent-Cleaner

SC30-32TVG Specifications

2018/10/23

| Item | Contents |
|-------------------|---|
| ① Pressure gauge | An air pressure gauge at the time of the use. |
| ② Hose connection | 3/8" ball valve + air coupler |
| ③ Cleaner lid | Aluminum alloy • AC4C Melamine resin baking finish |
| ④ Hose | Transparent PVC (ID ϕ 32×2000mm) |
| ⑤ Draw latch | Iron (Chrome plating) Rivet (Aluminum) |
| ⑥ Suction pipe | PVC (OD ϕ 32×600mm) |
| ⑦ Tank | Transparent PVC 25 ℓ |
| ⑧ Stand | Aluminum alloy resin •AC4C Melamine resin baking finish |
| ⑨ Caster | Conductive casters / 4pieces (1 equipped with a break) |
| | |
| O ring | NBR |
| Air pressure | 0.5~0.6MPa(5~6kg/cm ²) |
| Vacuum | 53.6~67.3kpa(5466~6863mmAq) |
| Operating Noise | 60dB (0.5MPa) |
| Air consumption | 564~751 ℓ /min Normal |



Remarks

- This model is used specially for adhesive materials like grease.