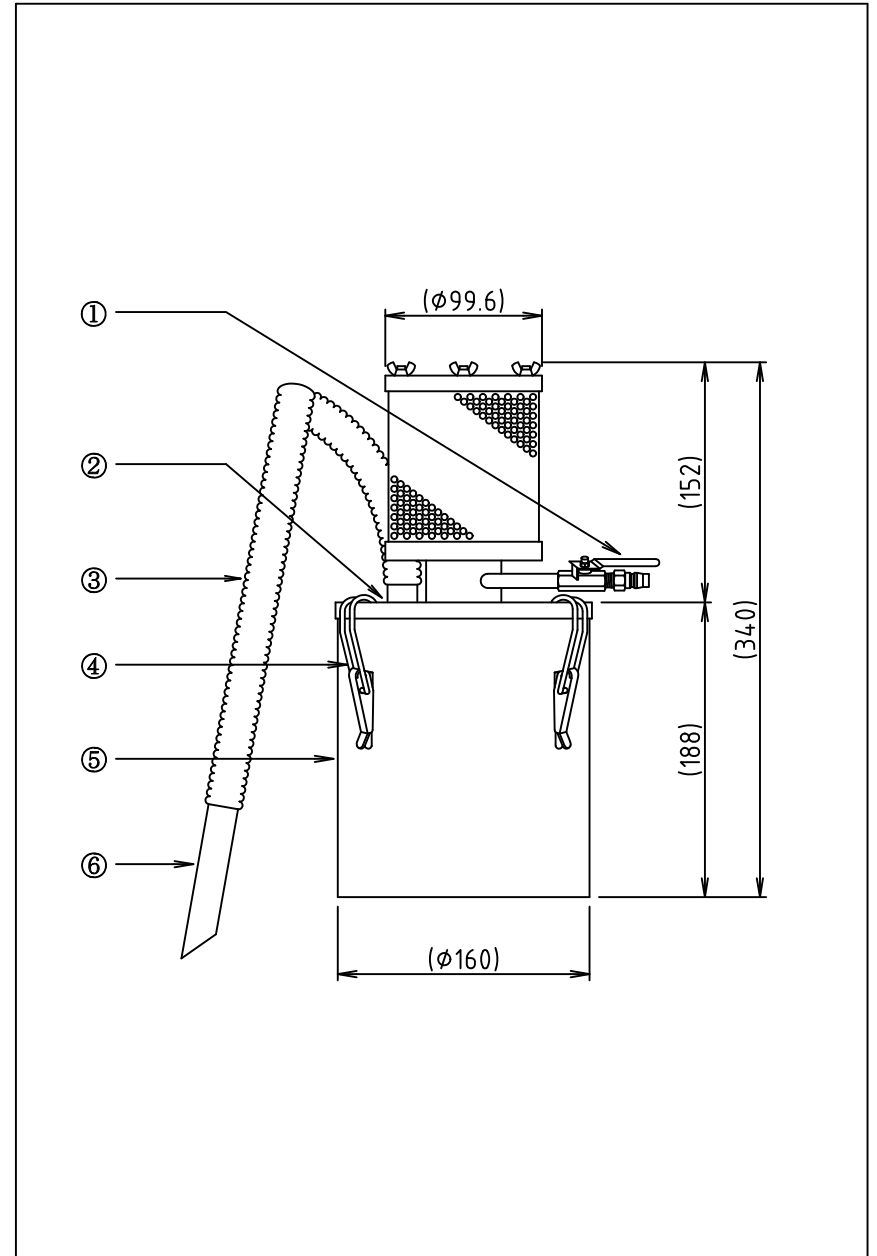


Silent-Cleaner

SC3T-19 Specifications

2009/06/08

Item	Contents
① Hose connection	1/4" ball valve + air coupler
② Cleaner lid	Stainless • SUS304
③ Antistatic hose	PVC (ID ϕ 19×1500mm)
④ Clasps	Iron (Chrome plating) Rivet (Aluminum)
⑤ Tank	Transparent PVC 3 ℓ
⑥ Suction pipe	Stainless • SUS304 (OD ϕ 19×130mm)
O ring	NBR
Air pressure	0.2~0.5MPa (2~5kg/cm ²)
Suction power	-0.0057 ~ -0.0142MPa (567~1418mmAq)
Air consumption	26.4~52.5 ℓ /min Normal
Weight	1.7kg



Remarks