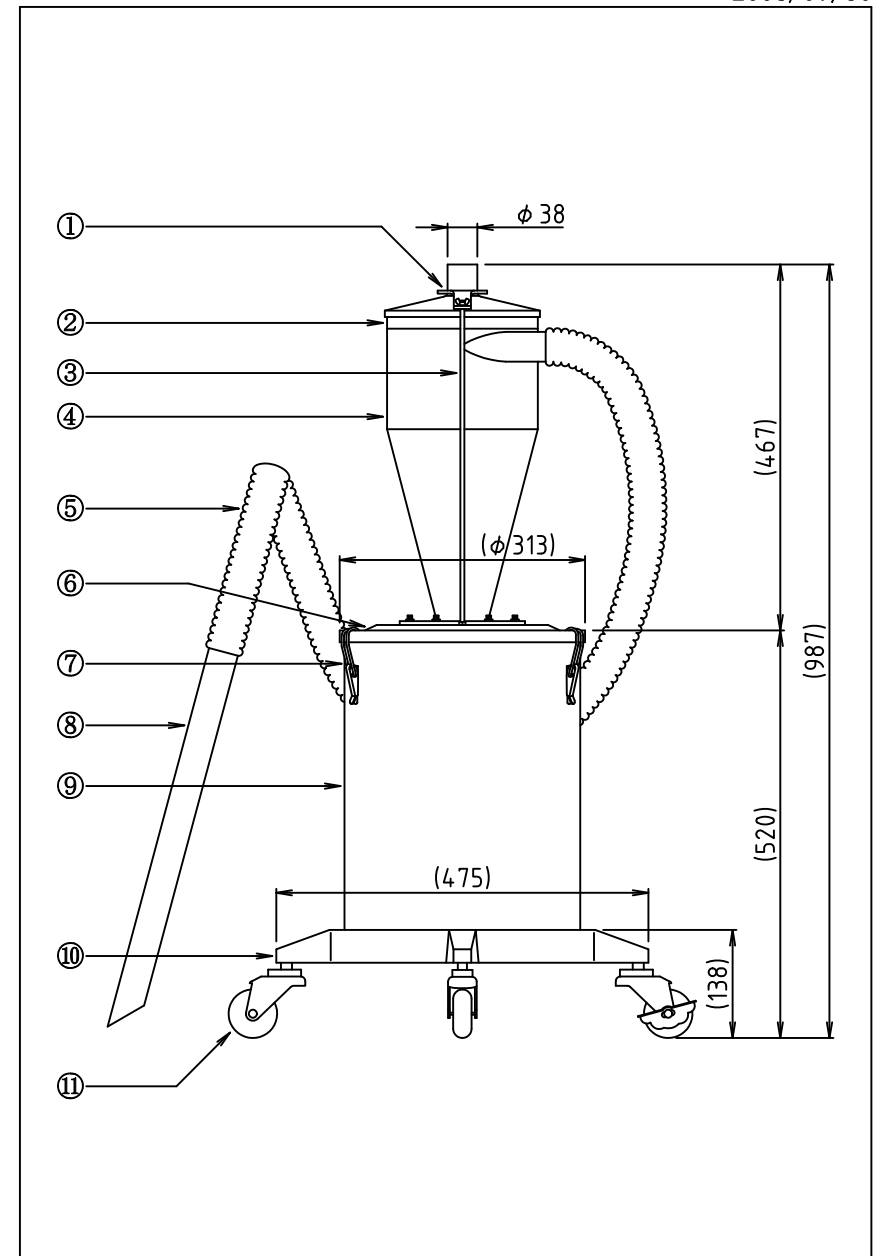


# Mini-Porter-Cyclone

## MP-38 CF20 Specifications

2008/07/30

Items	Contents
① Lid stopper	Stainless•SUS304
② Packing	Silicon
③ Lid stopper support	Stainless•SUS304
④ Cyclone body	Stainless•SUS304(connection: $\phi$ 38/ plate thickness: 2.0mm)
⑤ Hose	Transparent PVC (ID $\phi$ 38 $\times$ 3000mm)
⑥ MP lid	Aluminum alloy casting •AC4C Melamine resin baking finish
⑦ Clasps	Iron (Chrome plating) Rivet (Aluminum)
⑧ Suction pipe	Aluminum (OD $\phi$ 38 $\times$ 600mm)
⑨ Tank	Transparent PVC 25 $\ell$
⑩ Stand	Aluminum alloy casting •AC4C Melamine resin baking finish
⑪ Casters	Conductive casters/ 4 pieces (1 with a break)



Remarks