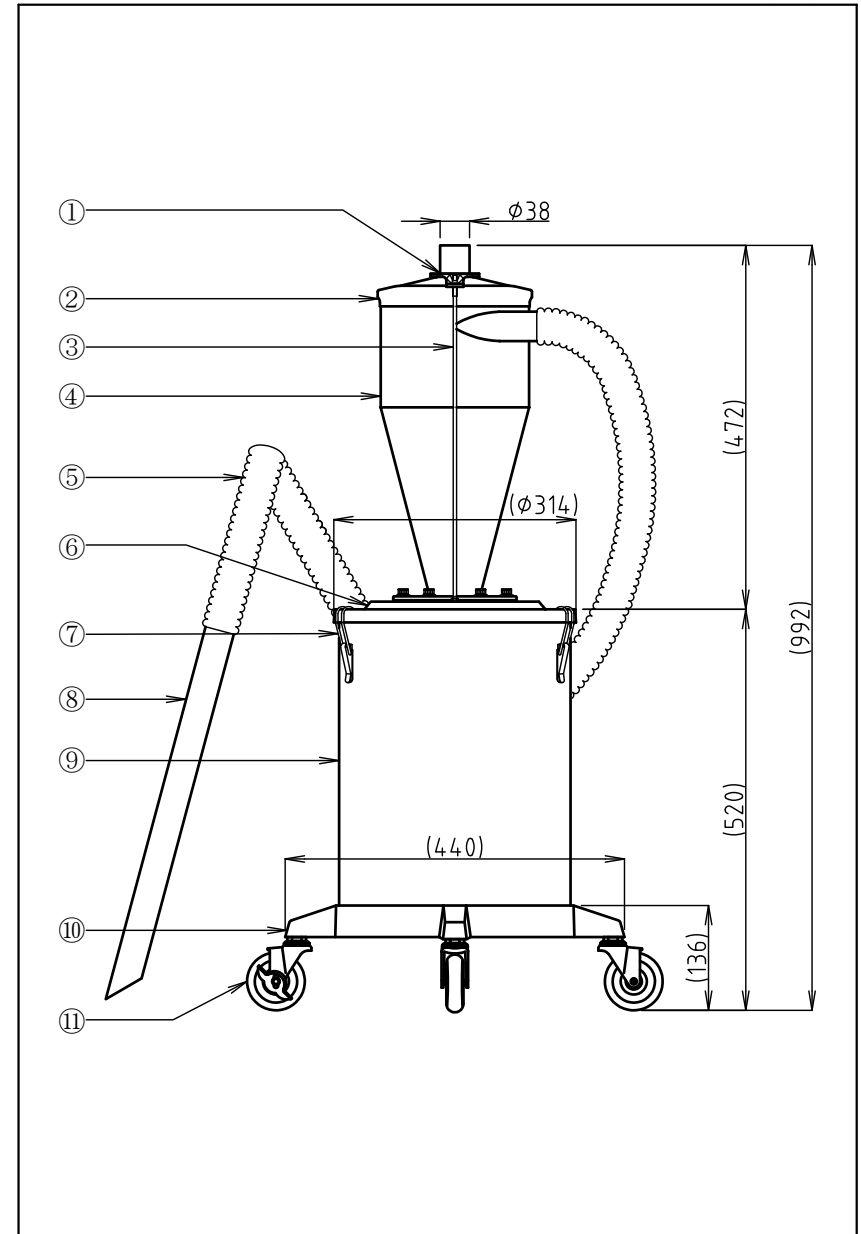


Mini-Porter-Cyclone

MP-38 CF12 Specifications

2018/10/23

Item	Contents
① Lid stopper	Stainless •SUS304
② Packing	Silicon
③ Lid stopper support	Stainless •SUS304
④ Cyclone body	Stainless •SUS304(connection: ϕ 38/plate thickness: 1.2mm)
⑤ Hose	Transparent PVC (ID ϕ 38 \times 3000mm)
⑥ MP lid	Aluminum alloy casting (AC4C) Melamine resin baking finish
⑦ Draw latch	Iron (Chrome plating) Rivet (Aluminum)
⑧ Suction pipe	Aluminum (OD ϕ 38 \times 600mm)
⑨ Tank	Transparent PVC 25 ℓ
⑩ Stand	Aluminum alloy casting •AC4C Melamine resin baking finish
⑪ Casters	Conductive casters/ 4 pieces (1 equipped with a brake)



Remarks