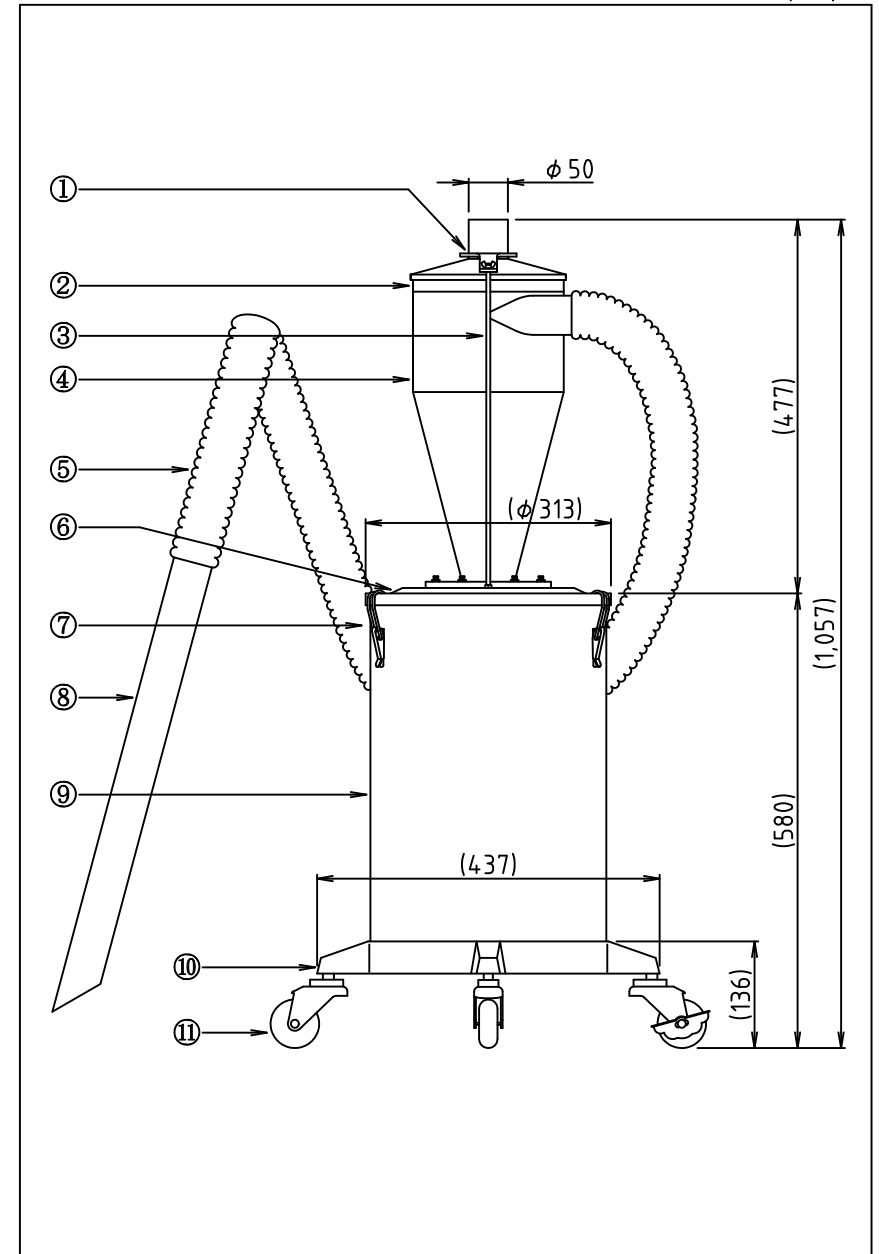


Mini-Porter-Cyclone

MP-50S CF20 Specifications

2011/02/15

Item	Contents
① Lid stopper	Stainless•SUS304
② Packing	Silicon
③ Lid stopper support	Stainless•SUS304
④ Cyclone body	Stainless•SUS304(connection: ϕ 50/ plate thickness: 2.0mm)
⑤ Hose	Transparent PVC (ID ϕ 50 \times 3000mm)
⑥ MP lid	Aluminum alloy casting •AC4C Melamine resin baking finish
⑦ Clasps	Iron (Chrome plating) Rivet (Aluminum)
⑧ Suction pipe	Aluminum (OD ϕ 50 \times 600mm)
⑨ Tank	Stainless•SUS304 30 ℓ
⑩ Stand	Aluminum alloy casting •AC4C Melamine resin baking finish
⑪ Casters	Conductive casters/4 pieces (1 with a break)



Remarks