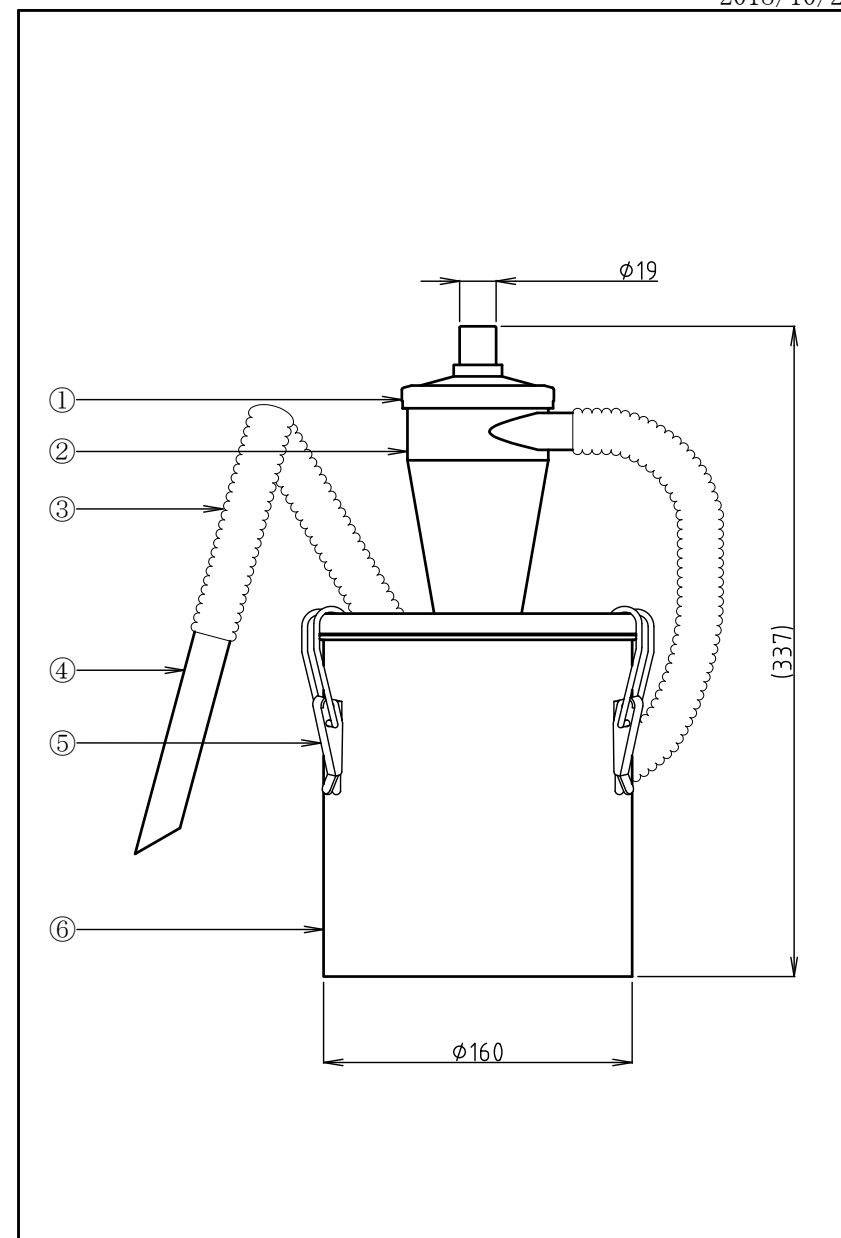


Mini-Porter-Cyclone

MP-19 Specifications

2018/10/23

Item	Contents
① Packing	Silicon
② Cyclone body	Stainless•SUS304 (connection: ϕ 19)
③ Antistatic hose	PVC (ID ϕ 19 \times 2000mm)
④ Suction pipe	Stainless•SUS304 (OD ϕ 19 \times 130mm)
⑤ Draw latch	Iron (Chrome plating) Rivet (Aluminum)
⑥ Tank	Transparent PVC 3 ℓ



Remarks