

# Silent-Cleaner SC20-32G

## Instructions

- ① Please make sure the following parts are contained inside the package:

Silent-Cleaner .....	1
20L Iron Tank with Caster stand .....	1
Casters (one with brake) .....	4
Spanner/ wrench for fastening casters .....	1
Suction Pipe .....	1
Hose .....	1
Hose Clamp .....	2
Spare Filter (for dust collection) .....	1
  - ② Attach the casters with the caster stand at the bottom of 20L Iron Tank and fasten well with the spanner/ wrench.
  - ③ Put the Silent-Cleaner on top of the 20L Iron Tank and fasten with the draw latches.
  - ④ Attach the hose with the suction mouth of the Silent-Cleaner and fasten well with the hose clamp. (It can be made easier by turning the hose clockwise while attaching.)
  - ⑤ Connect the suction pipe with the hose and fasten well with the hose clamp. (It can be made easier by turning the hose clockwise while attaching.)
  - ⑥ Connect the air hose (ID over 10mm) with the Silent-Cleaner. For optimal performance, while connecting, please make sure that the air filter is present in between the connection to prevent rust entering into the device. Please make sure that the air valve is closed when connecting the air hose.
  - ⑦ Suction will start as soon as the air cock is turned open on the Silent-Cleaner.
- ★ When the vacuum power is low, please check for the following:
- (1) Air pressure is at sufficient level, or air volume is sufficient.
  - (2) Connecting the appropriate air hose, not too long or too thin.
  - (3) Connecting with the minimum numbers of couplers, or connecting the inappropriate couplers lead to insufficient airflow and may not be able to maintain optimal performance.

### ★ Feature

Silent-Cleaner has the following extraordinary feature:

- The Safety valve prevents the sudden vacuum level increase when the suction mouth is blocked and avoids damage to the device or the tank.
- Please do not randomly adjust the safety valve to prevent any damage or danger.

### ★ Caution

- When the vacuum level decreases it indicates that the filters require replacement.

#### Dust Filter

- Please replace the dust filter occasionally to prevent the filter from getting clogged, causing excessive vacuum level at the suction area, or the dust flowing to the silent filter.

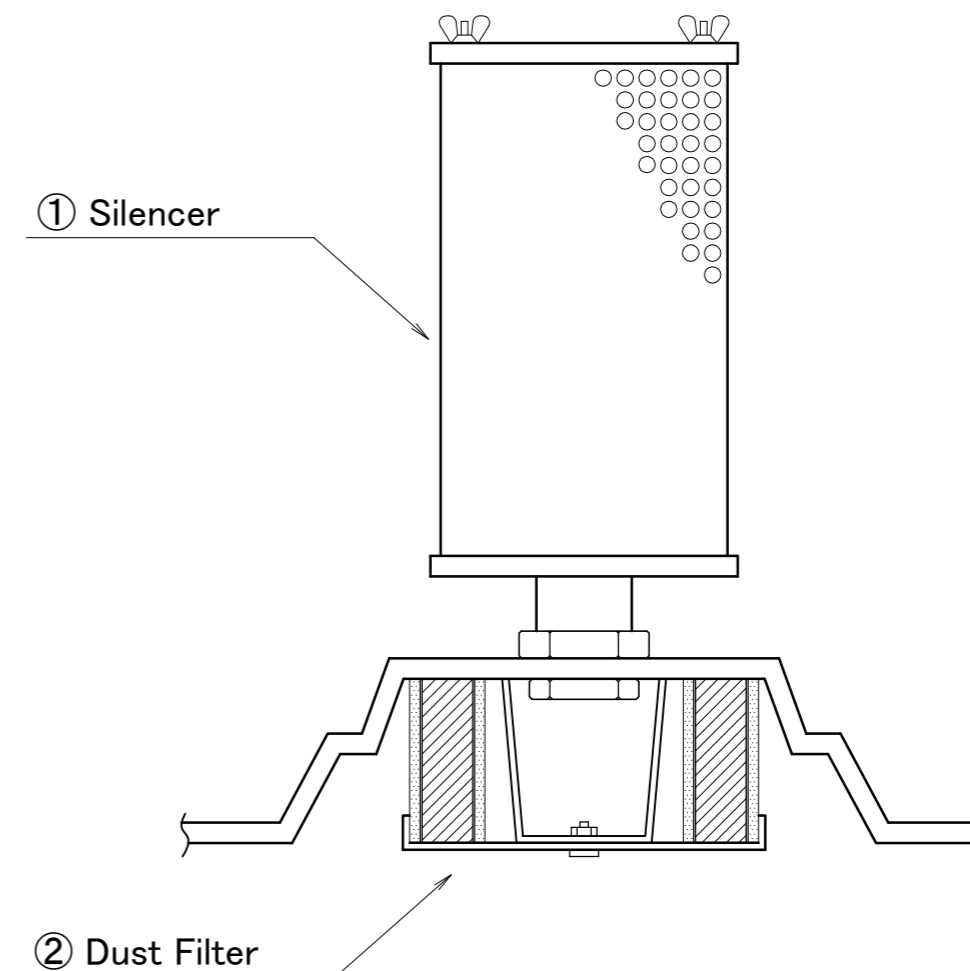
#### Silent Filter

- Please make sure to supply clean compressed air to prevent the silent filter from getting clogged with rust or oil in addition to the dust discharged through the dust filter.

Please use the fine dust collection unit for the fine dust collection (available as option).

## How to order the filters

- ① Silent Filter is located inside the Silencer.  
Please specify as SILENT FILTER (for all Silent-Cleaner models), available from 1pc.
- ② To order the dust filter (Yellow), please specify as DUST FILTER (Small), available from 6pcs in 1 set.



- Please use the fine dust filter set for collecting fine dust/ powders, as this model is not designed for fine dust collection. To order the filter set, please specify as FINE DUST FILTER SET (Small), available from 1 set.

## How to order the Hydro Stopper (Option)

- For the liquid suction, installing the Hydro Stopper will provide a good performance. The Hydro Stopper is the device to control the quantity of vacuuming liquid when the deposited liquid comes up to the preset level inside the iron tank, it automatically closes the suction mouth to stop the liquid suction. To order the Hydro Stopper, please specify as HYDRO STOPPER (for all Silent-Cleaner models), available from 1set.



TEL: +81-6-6572-1207

FAX: +81-6-6572-1256

E-mail: osawa@osawa-company.co.jp

In case you have any inquiry, please contact the dealer or the manufacturer.