

Silent-Cleaner SC200-50DG

Instructions

- ① Please make sure the following parts are contained inside the package:
Silent-Cleaner 1
Suction Pipe 1
Hose 1
Hose Clamp 2
Spare Filter (for dust collection) 1
 - ② Put the Silent-Cleaner on top of any available 200L open top drum and fasten well.
(If there are any available bands attached with the open top drum, fasten well.)
 - ③ Attach the hose with the suction mouth of the Silent-Cleaner and fasten well with the hose clamp.
(It can be made easier by turning the hose clockwise while attaching.)
 - ④ Connect the suction pipe with the hose and fasten well with the hose clamp.
(It can be made easier by turning the hose clockwise while attaching.)
 - ⑤ Connect the air hose (ID over 19mm) with the Silent-Cleaner. For optimal performance, while connecting, please make sure that the air filter is present in between the connection to prevent rust entering into the device.
Please make sure that the air valve is closed when connecting the air hose.
 - ⑥ Suction will start as soon as the air cock is turned open on the Silent-Cleaner.
- ★ Peep Hole can be easily taken off for inspection.
- ★ When the vacuum power is low, please check for the following:
- (1) If air pressure is at sufficient level, or air volume is sufficient
 - (2) If the appropriate air hose is connected, not too long or too thin
 - (3) Connecting with the minimum numbers of couplers, or connecting the inappropriate couplers lead to insufficient airflow and may not be able to maintain optimal performance

★ Feature

Silent-Cleaner has the following extraordinary feature:

- The Safety valve prevents the sudden vacuum level increase when the suction mouth is blocked and avoids damage to the device or the drum.
- Please do not randomly adjust the safety valve to prevent any damage or danger.

★ Caution

- When the vacuum level decreases it indicates that the filters require replacement.

Dust Filter

- Please replace the dust filter occasionally to prevent the filter from clogging causing excessive vacuum level at the suction area, or the dust flowing to the silent filter.

Silent Filter

- Please make sure to supply clean compressed air to prevent the silent filter from getting clogged with rust or oil in addition to the dust discharged through the dust filter.

Please use the fine dust collection unit for the fine dust collection (available as option).



TEL: +81-6-6572-1207

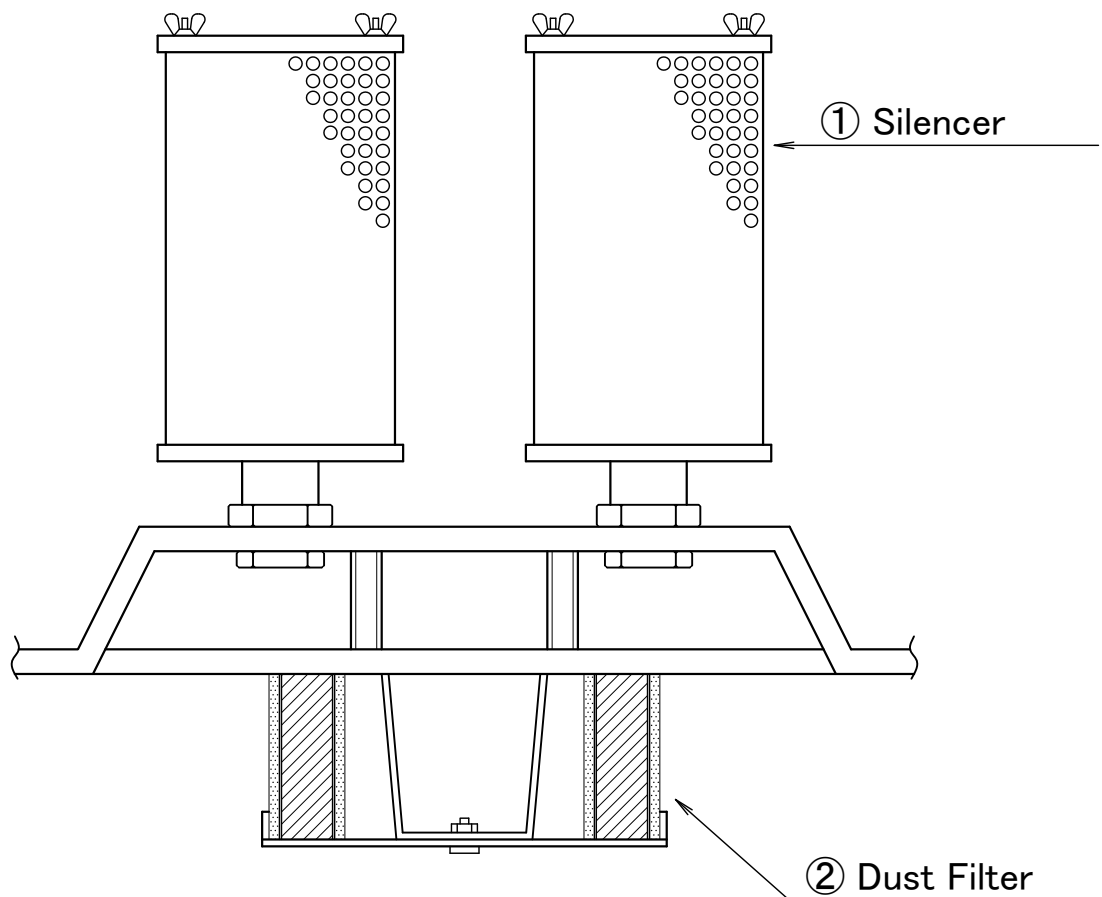
FAX: +81-6-6572-1256

E-mail: osawa@osawa-company.co.jp

In case you have any inquiry, please contact the dealer or the manufacturer.

How to order the filters

- ① Silent Filter is located inside the Silencer.
Please specify as SILENT FILTER (for all Silent-Cleaner models), available from 1pc.
- ② To order the dust filter (Yellow), please specify as DUST FILTER (Large), available from 6pcs in 1 set.



- Please use the fine dust filter set for collecting fine dust/ powders, as this model is not designed for fine dust collection.
To order the filter set, please specify as FINE DUST FILTER SET (Large), available from 1 set.

How to order the Hydro Stopper (Option)

- For the liquid suction, installing the Hydro Stopper will provide a good performance. The Hydro Stopper is the device to control the quantity of vacuuming liquid when the deposited liquid comes up to the preset level inside the drum, it automatically closes the suction mouth to stop the liquid suction.
To order the Hydro Stopper, please specify as HYDRO STOPPER (for all Silent-Cleaner models), available from 1set.



Caution!

It is advised that the following materials are not suitable for suction or transfer, since they may cause explosion, fire, electric shock, or dust explosion resulting in serious damage to human body/ life

- Explosive dust: e.g. Aluminum, Magnesium, titanium, zinc, high conductivity dusts, etc.
- Sparks or high thermal materials from high-speed cutter, grinder or welder
- Inflammable materials: e.g. gasoline, thinner, chemicals
- Sharp material: e.g. needles, nails, etc.
- Other materials considered as dangerous to vacuum in general situation



1-7-28, Yunagi, Minato-ku, Osaka 552-0004 Japan
TEL: +81-6-6572-1207 FAX: +81-6-6572-1256
URL <https://www.osawa-company.co.jp>
E-mail: osawa@osawa-company.co.jp

SILENT CLEANER Caution!



DANGER

Please do a thorough read prior to the operation.

- Do not suck anything considered as dangerous in general situation
- Do not suck anything with the temperature over 40°C to prevent burning or fire
- Do not misuse as it may cause serious damage to human body / life
- Please use antistatic parts for controlling static electricity to prevent explosion, fire or electric shock
- Please make sure that explosive dust is controlled when vacuuming to prevent the dust explosion
If not, dust explosion might lead to serious damage to a human body / life

CAUTION

- Please check if all the parts are tightened properly prior to each operation
- Please make sure that no foreign substance is caught in the moving part, or the device may not operate properly
- Do not give any shock to the drum when the drum is at high vacuum level to prevent the crashing of the drum that might lead to the risks of explosion of the contents inside the drum
- Please do a regular inspection of the drum inside
Do not vacuum liquid close to the top of the drum to prevent the liquid from spraying out of the filter on top
For liquid suction, HYDRO STOPPER is recommended
- Do not overturn/knock over the drum to prevent the contents from emerging out
- Use with the air pressure gauge under 0.9MPa (9kg/cm²)
- Keep out of reach from children
- Please read thoroughly the instruction manual prior to operation
In case you have any question about the usage, stop operation immediately and inquire the manufacturer

It is advised that the following materials are not suitable for suction or transfer, since they may cause explosion, fire, electric shock, or dust explosion resulting in serious damage to human body/ life

- Explosive dust: e.g. Aluminums, Magnesium, titanium, zinc, high conductivity dust, etc.
- Sparks or high thermal materials from high-speed cutter, grinder or welder
- Inflammable materials: e.g. Gasoline, thinner, chemicals.
- Sharp material: e.g. Needles, nails, etc.
- Other materials considered as dangerous to vacuum in general situation

*** Please keep this caution note at a place where the operator can easily read at anytime**



1-7-28, Yunagi, Minato-ku, Osaka 552-0004 Japan
TEL:+81-6-6572-1207 FAX:+81-6-6572-1256
URL <https://www.osawa-company.co.jp>
E-mail: osawa@osawa-company.co.jp

Check when Low Performance



**WONDER
GUN**



OSAWA & COMPANY

OSAWA CO. LTD.

1-7-28, Yunagi, Minato-ku, Osaka, 552-0004 Japan

TEL +81-6-6572-1207

FAX +81-6-6572-1256

e-mail osawa@osawa-company.co.jp

<https://www.osawa-company.co.jp>