

How to attach the Fine Dust Filter Unit

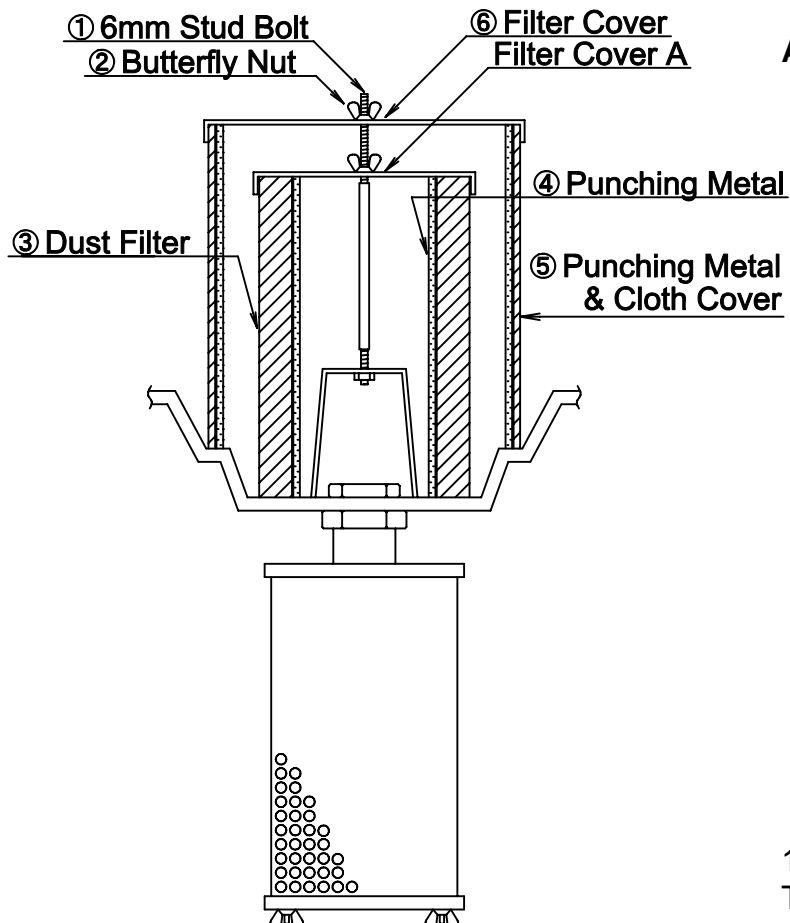
● Components	● Name of each part
①	① 6mm Stud Bolt
②	② Butterfly Nuts (2)
③	③ Dust Filter
④	④ Punching Metal
⑤	⑤ Punching Metal & Cloth Cover
⑥	⑥ Filter Cover

How to take off the inner Filter

- (1) Invert the Silent Cleaner
- (2) Loosen the bolt at the Dust Filter with the spanner/wrenches (10mm) and take off the filter
- (3) Take off the Filter Cover and Dust Filter
(Replace the Dust Filter. Filter Cover is mentioned as "Filter Cover A" hereafter.)

How to reassemble the Dust Filter

- (1) Invert the Silent Cleaner
- (2) Push the bolt ① (shorter side) into the cleaner body
- (3) Put the Dust Filter ③ with the Punching Metal ④ inside on the Silencer's body
- (4) Fit the Filter Cover A with the bolt①, and fasten the Butterfly Nut ②
- (5) Fit the Punching Metal (Exterior) ⑤ and the Cloth Cover (White) around the Dust Filter ③
- (6) Fix the Filter Cover ⑥ with the bolt, and fasten the Butterfly Nut ②



Attention:

- When the vacuum level decreases, it indicates that the Cloth Cover ⑤ requires cleaning. Please clean the Cloth Cover occasionally if the vacuum level is not regained,
- Please replace the Dust Filter occasionally to prevent the excessive vacuum level at the suction area and the dust flowing to the Silent Filter

Replacement parts are available as below.
 Dust Filter (available from 6pcs in 1 set)
 Cloth Cover for Dust
 (available from 2pcs in 1 set)



OSAWA & COMPANY

1-7-28, Yunagi, Minato-ku, Osaka 552-0004 Japan

TEL: 81-6-6572-1207 FAX: 81-6-6572-1256

E-mail: osawa@osawa-company.co.jp