

Mini-Porter-Cyclone MP-38S CF12

Instructions

- ① Please make sure the following parts are contained inside the package:

Mini-Porter-Cyclone	1
30L Stainless Steel (SUS) Tank with Caster stand	1
Casters (one with brake)	4
Spanner/ wrench for fastening casters	1
Hose	1
Hose Clamp	2
Suction Pipe	1
Cap Stopper	1

- ② Attach the casters with the caster stand at the bottom of 30L SUS tank and fasten well with the spanner/ wrench.
- ③ Put the Cyclone on top of the SUS tank and fasten with the draw latches.
- ④ Attach the hose with the suction mouth on the side of the Mini-Porter-Cyclone and fasten well with the hose clamp.
(It can be made easier by turning the hose clockwise while attaching.)
- ⑤ Connect the suction pipe with the hose and fasten well with the hose clamp.
(It can be made easier by turning the hose clockwise while attaching.)
- ⑥ Connect the hose of the vacuum cleaner/ Silent-Cleaner (our products) with the mouth on top of the Mini-Porter-Cyclone.
- ⑦ Suction will start as soon as the vacuum cleaner is switched on. Then start the suction after waiting for 2 or 3 seconds till the airflow stabilizes. Vacuum the particles with the air when operating.

★ Caution

- Please inspect and clean the SUS tank occasionally.
If the SUS tank fills up, the vacuumed dust flows to the cleaner.
- Please ground/ earth the device to control static electricity.
(Antistatic Hose is available for option.)



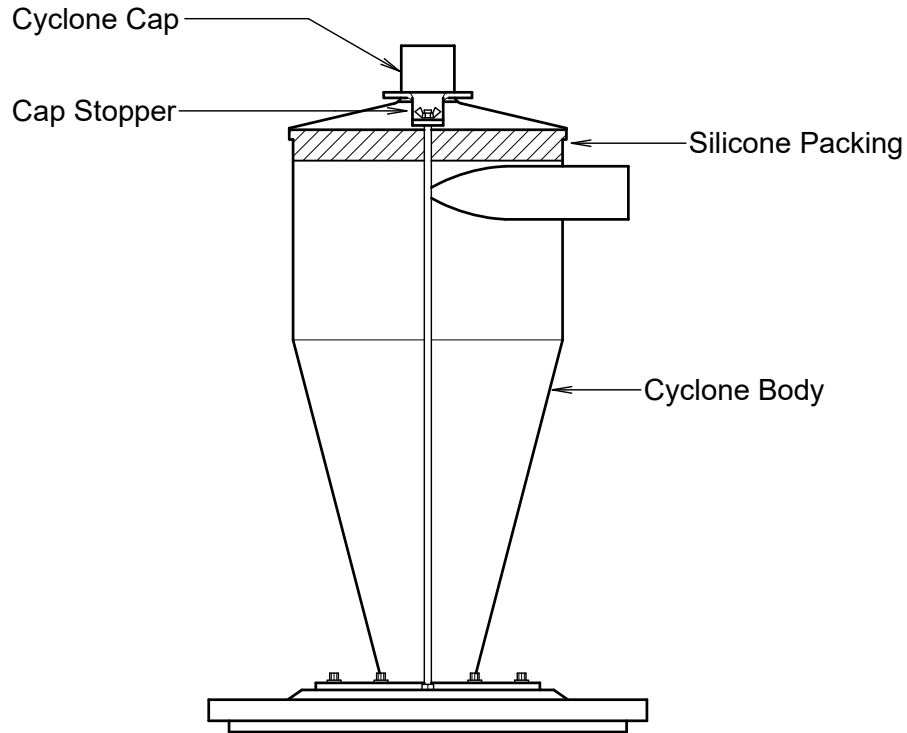
TEL: +81-6-6572-1207

FAX: +81-6-6572-1256

E-mail: osawa@osawa-company.co.jp

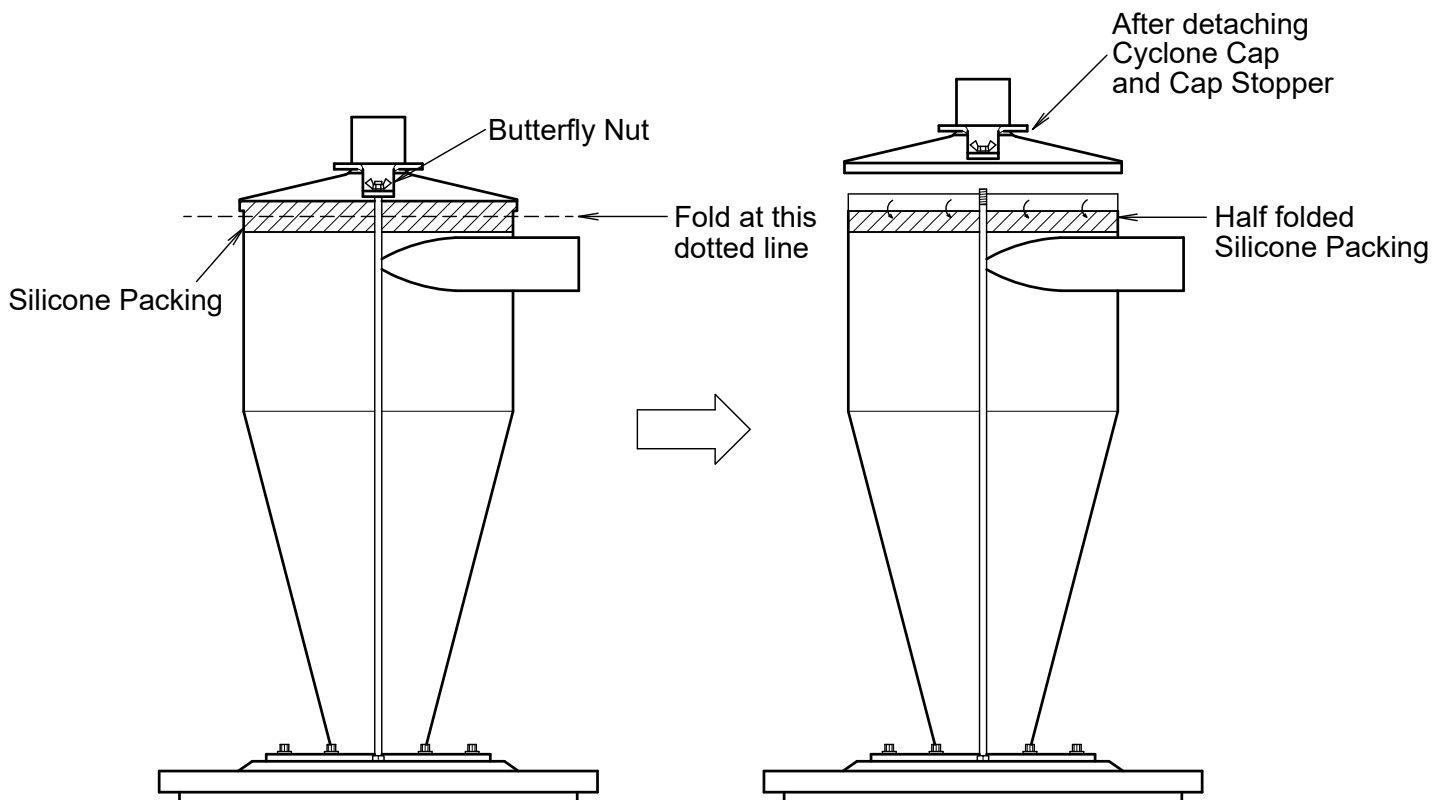
In case you have any inquiry, please contact the dealer or the manufacturer.

Cleaning Maintenance



- ※ Frequent maintenance is not needed for Mini-Porter-Cyclone. However, occasional cleaning is required in the inside of the body to maintain optimal performance. To clean, brush the inside occasionally. Especially after vacuuming the moist dust, brush well or wipe well with the dry cloth since the moist dust stays inside.

How to take off the Cyclone Cap



- ① Take off the hose.
- ② Loosen the butterfly nut and take off the Cap Stopper.
- ③ Fold the silicone packing as shown in the drawing and take off the Cyclone Cap. Silicone packing should be kept half folded on the body.

- ※ To attach the Cyclone Cap, follow the reverse order of taking off. When attaching, please make sure that the body and Cyclone Cap are not covered with any dust.



Caution!

It is advised that the following materials are not suitable for suction or transfer, since they may cause explosion, fire, electric shock, or dust explosion resulting in serious damage to human body/ life

- Explosive dust: e.g. Aluminum, Magnesium, titanium, zinc, high conductivity dusts, etc.
- Sparks or high thermal materials from high-speed cutter, grinder or welder
- Inflammable materials: e.g. gasoline, thinner, chemicals
- Sharp material: e.g. needles, nails, etc.
- Other materials considered as dangerous to vacuum in general situation



1-7-28, Yunagi, Minato-ku, Osaka 552-0004 Japan
TEL: +81-6-6572-1207 FAX: +81-6-6572-1256
URL <https://www.osawa-company.co.jp>
E-mail: osawa@osawa-company.co.jp

Mini Porter Cyclone Caution!



DANGER

Please do a thorough read prior to the operation.

- Do not suck anything considered as dangerous in general situation
- Do not suck anything with the temperature over 40°C to prevent burning or fire
- Please use antistatic parts for controlling static electricity to prevent explosion, fire or electric shock
- Please make sure that the explosive dust is controlled when vacuuming to prevent the dust explosion
If not, dust explosion might lead to serious damage to a human body / life

CAUTION

- Please check if all the parts are tightened properly prior to each operation
- Please make sure that no foreign substance is caught in the moving part, or the device may not operate properly
- Do not give any shock to the drum when the drum is at high vacuum level to prevent the crashing of the drum that might lead to the risks of explosion of the contents inside the drum
Please handle with care since the transparent tank is very sensitive
- Do not overturn/knock over the drum to prevent the contents from emerging out
In case if the drum is accidentally knocked over, its shape might change or it might break leading to low performance
- Please check all the parts to maintain optimal vacuuming performance to prevent the fine dust/ powders from overflowing from the drum to the cleaner as it might result in low performance
- Please perform regular inspection of the inside of the drum to prevent the fine dust/ powders from getting filled up and entering into the cleaner
- Please make sure that the Cyclone cap (lobber band on top) is fastened when transferring the Mini Porter Cyclone
- Ground/earth the device when operation
- Keep out of reach from children
- Please read thoroughly the instruction manual prior to the operation
In case you have any question about the usage, stop operation immediately and inquire the manufacturer

It is advised that the following materials are not suitable for suction or transfer, since they may cause explosion, fire or electric shock resulting in serious damage to human body/ life

- Explosive dust: e.g. Aluminums, Magnesium, titanium, zinc, high conductivity dust, etc.
- Sparks or high thermal materials from high-speed cutter, grinder or welder
- Inflammable materials: e.g. Gasoline, thinner, chemicals.
- Sharp material: e.g. Needles, nails, etc.
- Other materials considered as dangerous to vacuum in general situation

*** Please keep this caution at a place where operator can easily read at anytime**



1-7-28, Yunagi, Minato-ku, Osaka 552-0004 Japan
TEL: +81-6-6572-1207 FAX: +81-6-6572-1256
URL <https://www.osawa-company.co.jp>
E-mail: osawa@osawa-company.co.jp

**WONDER
GUN**



OSAWA & COMPANY

OSAWA CO. LTD.

1-7-28, Yunagi, Minato-ku, Osaka, 552-0004 Japan

TEL +81-6-6572-1207

FAX +81-6-6572-1256

e-mail osawa@osawa-company.co.jp

<https://www.osawa-company.co.jp>